



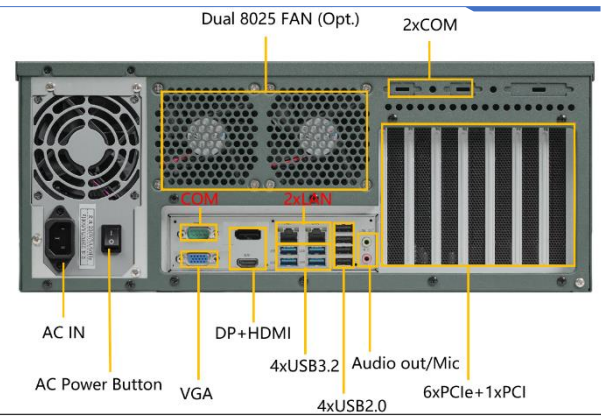
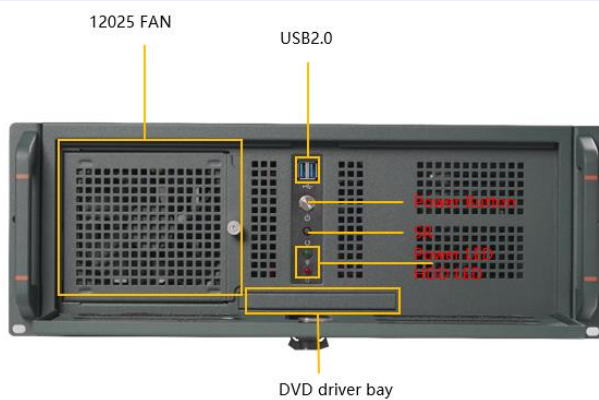
Key Features

- Intel gen 12/13th Alderlake-S/Raptor Lake-S LGA1700 CPU+Q670 PCH
- Dual channel 4xDDR4 3200MHz UDIMM, up to 128GB
- Intel UHD Graphic, 1xVGA+1xHDMI+1xDP three independent display
- 1xI219LM Gig. Ethernet+1xI226V Gig. Ethernet
- 4xUSB3.2, 7xUSB2.0 (two front and one built-in), Audio out and Mic
- 2xRS232/422/485, 1xRS232, optional 8-bit DIO
- 2xPCIeX16+1xPCI+4xPCIeX4
- 4x3.5 "SATA3.0 shock resistant and anti-vibration hard disk bay
- Standard 19" 4U rackmount chassis with high efficiency air cooling design
- Standard PS2 ATX power supply, 300/500/750/1000W

Description

PADR-S501-980 is a standard 19" 4U rackmount industrial computer with an Intel Q670 chipset powered by Intel® gen 12/13th Alder lake-S/Raptor Lake-S LGA1700 series CPU. Rich functional IO, 7 PCIe/PCI expansion capabilities, excellent air cooling design, power consumption ladder ATX power supply selection, suitable for machine vision, CNC machine tools and factory production line automation and other fields.

I/O View

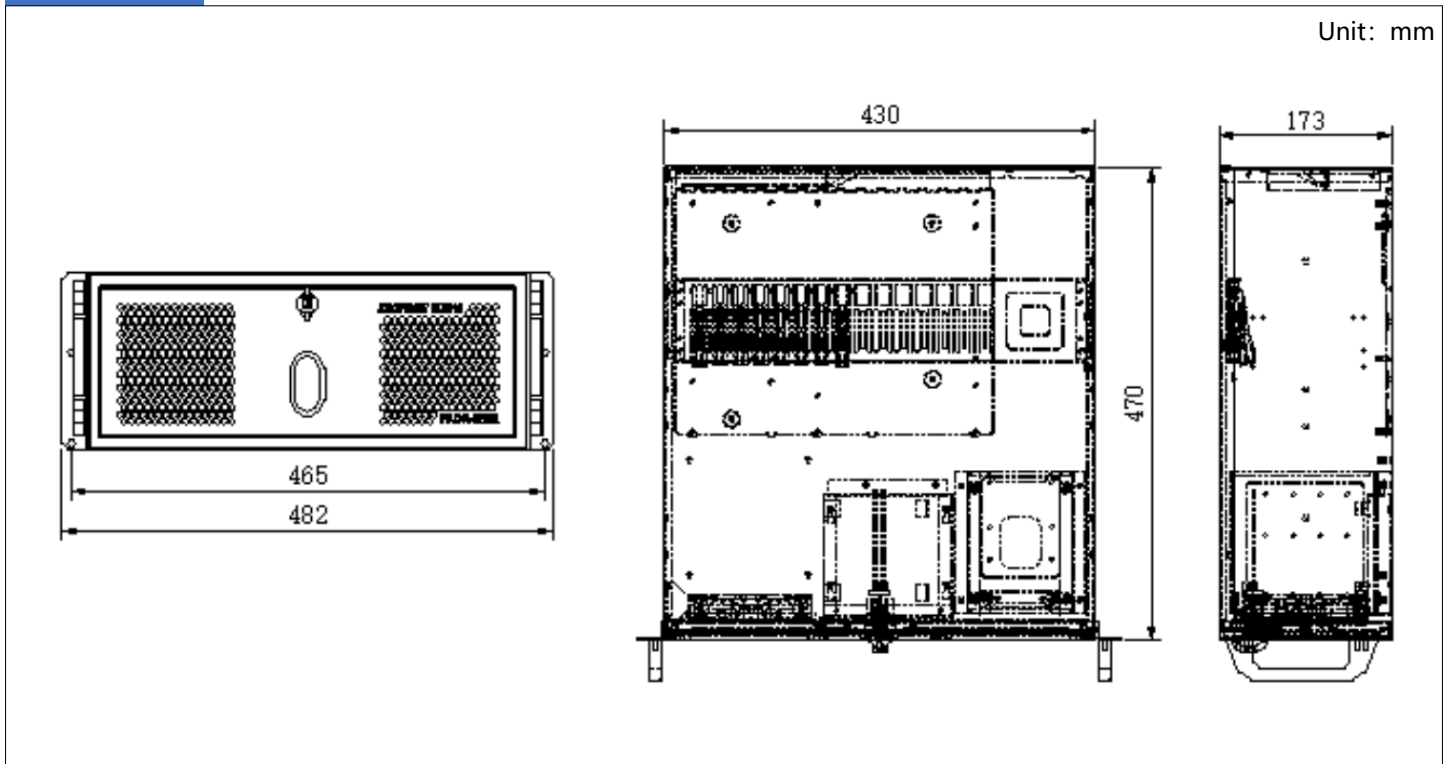


SPEC.

CPU+PCH	Intel gen 12/13th Alder lake-S/Raptor Lake-S Core i9/i7/i5/i3/Pentium/Celeron LGA1700 CPU, up to 125W, Q670 chipset
Memory	4x288-pin Non-ECC UDIMM , dual channel DDR4 3200MHz, up to 128GB
Expansion	2xPCIeX16 Gen5.0 slot (X8 Signal), 2xPCIeX4 Gen4.0 slot (X4 Signal), 2xPCIeX4 Gen3.0 slot (one is the X4 signal, and one is the X1 signal), 1x32-bit PCI slot 1*M.2 2280 M-Key (Gen4.0 PCIe X4 Signal)
Graphics	Intel Xe architecture 700 Series UHD Graphics, Supports DirectX 12, OpenGL 4.5 and OpenCL 2.1 HW Decode: AVC/H.264, MPEG2, VC1/WMV9, JPEG/MJPEG, HEVC/H265, VP8, VP9 HW Encode: MPEG2, AVC/H264, JPEG, HEVC/H265, VP8, VP9 HDMI max. res. 4096*2160@60Hz, DP max. res. 7680*4320@60Hz, VGA max. res. 1920*1200@60Hz
Audio	Realtek ALC897 controller, support 5.1 channel, optionally support dual channel 3W/8 ohm power amplifier
LAN	1xIntel I226V, 10M/100M/1000M self-adapt, support WOL 1xIntel I219LM, 10M/100M/1000M self-adapt, support iAMT13.0 active management, pairing i5/i7/i9 CPU can support vPro remote management
Storage	4xSATA3, 6.0Gbps interface, support RAID0/1/10/5, the box is designed with 4x3.5 "and 2x2.5" a set of anti-vibration hard disk bay, 1 ultrathin DVD driver bay, can realize multi-category combined storage
Rear I/O	2xLAN(RJ45); 1xHDMI+1xVGA+1xDP; 1xLine out+1xMic 2x3.5mm phone jack 4xUSB3.2 Gen2 (10Gb/s, Type A), 4xUSB2.0(Type A), support USB Power to switch between System mode(+5V) and +5VSB mode through jumper 2xRS232/422/485 (DB9 male), 1xRS232(DB9 male)
Front I/O	2xUSB2.0(Type A)
Internal I/O	8bit DIO (2*5 pin header), 2xUSB3.2 Gen2 (10Gb/s, 2*10 pin header), 1xUSB2.0(Type A), 3*RS232 pin header, 1xF_AUDIO, 1xAMP, the built-in interface can be elicited through an extension window
Switch & LED	Front with Power Button, Reset Button, Power LED, HDD LED, on board with USB Power jumper, AT/ATX jumper, Clear CMOS jumper
Power Supply	AC100-240V input, standard ATX power supply 300W, optional 500W, 750W or 1000W; TDP: 232.3W (I7-12700K CPU/16G DDR4/256G SSD)
Watchdog Timer	Watchdog timeout programmable via software 1 to 255 second
Security	Support Infineon TPM2.0(Opt.)
OS Support	Windows 10/11 IoT Enterprise (64-bit), Windows Server 2019, Ubuntu, SUSE, Redhat Enterprise, Wind River Linux, Yocto Project (64-bit), Wind River VxWorks 7

Structure and Mounting	Door with lock design, SGCC steel plate, metal mold molding; Mounted on 19" rack, optional mounting rail set
Cooling	Linear airflow design, front 12025 ball bearing fan, optional 2 rear 8025 ball bearing fan
Color	Granite grey
Dimension	(W*H*D): 430x470x173mm
Height	14.0kg
Operating Temperature	0 ~ 50°C
Storage Temperature	-40°C~85°C
Storage Humidity	10~95%@40°C, Non-condensing
Vibration	5grms/5~500Hz/random/in working (SSD); 1grms/5~500Hz/random/in working (HDD)
Shock	50g peak acceleration(11ms duration)(SSD); 20g peak acceleration(11ms duration)(HDD)
EMC/Certification	CE/FCC Class A, 3C

Dimension



Ordering Info

Model No.	Introduction	Power
PADR-S501/980-300WP	Intel® Q670 PCH+Alder lake-S/Raptor Lake-S LGA1700 CPU, 4xDDR4 UDIMM, 2xLAN, 4xUSB3.2, 7xUSB2.0(one built-in), 3xCOM, 2xPCIe X16 (X8 Signal), 4xPCIeX4 (three are X4 signals, one is X1 signals), 1x32bit PCI, 1xM.2 M-Key, 1xHDMI, 1xVGA, 1xDP, 1xLine out and 1xMic, 4x3.5 "SATA bay.	AC 100-240V,ATX 300W
PADR-S501/980-500		AC 100-240V,ATX 500W
PADR-S501/980-750		AC 100-240V,ATX 750W
PADR-S501/980-1000		AC 100-240V,ATX 1000W

Accessory Pack

Standard Accessories	Amount	Optional Components	Optional Components
Screw jumper package	1	LGA1700, TDP 65W CPU WIND-COOLI	A pair of guide rail mounting parts
Air Filter	1	LGA1700, TDP 95W CPU WIND-COOLI	8025 Dual ball bearing DC 12V fans
AC power supply cable	1	LGA1700, TDP 125W CPU WIND-COOLI	DB9 male needle DIO cabel
		SATA 7pin data cable, length 420mm	two 4pin to 2+6pin GPU power cable