



M-7026

6-ch AI, 2-ch AO, 3-ch DI and 3-ch DO Module

Features

- Multifunction (6 AI, 2 AO, 3 DI, and 3 DO)
- Jumper Selectable Voltage or Current Input/Output
- High Over-voltage Input Protection
- High Common Voltage Protection
- Adjustable Sampling Rate (Fast/Normal Mode)
- Individual Channel Configuration
- Open Wire Detection for Current Output
- Overload and Short Circuit Protection for Digital Output
- Configurable Power-on Value and Safe Value Settings
- Built-in Dual Watchdog



Introduction

The M-7026 is a multifunction module that includes 6 analog input channels, 2 analog output channels, 3 digital input channels, 3 digital output channels. It provides a programmable input range on all analog input (+/-150 mV, +/-500 mV, +/-1 V, +/-5 V, +/-10 V, +/-20 mA or 0 ~ +20 mA), analog outputs are 12-bit at +/-5 V, +/-10 V, 0 ~ +20 mA or +4 ~ +20 mA and all digital outputs can be set as alarm output. Each analog input can be configured for an individual range and provides a High Over-voltage Input Protection of 240 Vrms. Voltage and current inputs/outputs are jumper selectable.

Applications

- Building Automation
- Machine Automation
- Remote Diagnosis
- Factory Automation
- Remote Maintenance
- Testing Equipment

System Specifications

CPU Module	
Watchdog Timer	Module, Communication (Programmable)
Isolation	
Intra-module Isolation	2500 VDC
EMS Protection	
EFT (IEC 61000-4-4)	±4 kV for Power Line
ESD (IEC 61000-4-2)	±4 kV Contact for Each Terminal ±8 kV Air for Random Point
Surge (IEC 61000-4-5)	±3 kV for Power Line
LED Indicators	
Status	1 x Power and Communication
COM Ports	
Ports	1 x RS-485
Baud Rate	1200 ~ 115200 bps
Data Format	(N, 8, 1)
Protocol	Modbus RTU, DCON
Power	
Reverse Polarity Protection	Yes
Input Range	+10 ~ +30 VDC
Consumption	1.8 W
Mechanical	
Dimensions (mm)	72 x 123 x 35 (W x L x H)
Installation	DIN-Rail Mounting
Environment	
Operating Temperature	-25 ~ +75 °C
Storage Temperature	-40 ~ +85 °C
Humidity	10 ~ 95% RH, Non-condensing

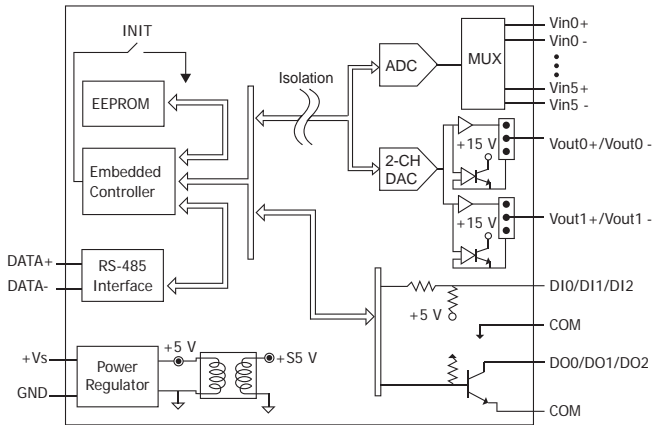
I/O Specifications

Analog Input		
Channels	6 Differential	
Type	Voltage, Current	
Range	±150 mV, ±500 mV, ±1 V, ±5 V, ±10 V, ±20 mA, 0 ~ 20 mA, 4 ~ 20 mA (Jumper Selectable)	
Resolution	16-bit	
Accuracy	Normal Mode	±0.1% of FSR
	Fast Mode	±0.5% or better
Sampling Rate	Normal Mode	10 Hz (total channels)
	Fast Mode	60 Hz (total channels)
Input Impedance	Voltage	2 MΩ
	Current	140 Ω
Common Voltage Protection	±200 V	
Overvoltage Protection	240 Vrms	
Overcurrent Protection	50 mA at 110 VDC	
Individual Channel Configuration	Yes	
Channel-to-Channel Isolation	400 VDC	
Open Wire Detection	For 4 ~ 20 mA Only	
Analog Output		
Channels	2	
Type	Voltage, Current	
Range (Jumper Selectable)	+0 ~ +5 VDC, +0 ~ +10 VDC, ±5 VDC, ±10 VDC, +0 ~ +20 mA, +4 ~ +20 mA	
Resolution	12-bit	
Accuracy	±0.1% of FSR	
Open Wire Detection	For 4 ~ 20 mA Only	
Voltage Output Capability	10 V @ 20 mA	
Power-on Value	Programmable	
Safe Value	Programmable	

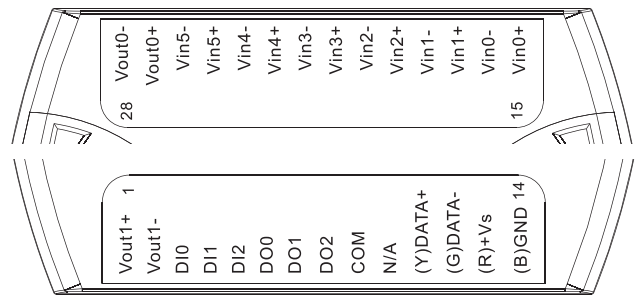
I/O Specifications

Digital Input/Counter	
Channels	3
Type	Dry Contact
Sink/Source (NPN/PNP)	Source
ON Voltage Level	Close to GND
OFF Voltage Level	Open
Max. Counts	65535 (16-bit)
Frequency	50 Hz
Min. Pulse Width	5 ms
Digital Output	
Channels	3
Type	Open Collector
Sink/Source (NPN/PNP)	Sink
Load Voltage	+3.5 ~ +50 VDC
Load Current	700 mA/Channel
Overtoltage Protection	60 VDC
Overload Protection	1.4 A
Short-circuit Protection	Yes
Power on Value	Programmable
Safe Value	Programmable

Internal I/O Structure



Pin Assignments



Wire Connections

Voltage Input		Current Input			
Voltage Output		Current Output			
	Old Version JP3/JP4	New Version for PCB V1.20 and later J7/J8			
			Old Version JP3/JP4		
			New Version for PCB V1.20 and later J7/J8		
Digital Input/Counter	ON State Readback as 1	OFF State Readback as 0	Digital Output	ON State Readback as 1	OFF State Readback as 0
Dry Contact (Source)			Open Collector (Sink)		

Ordering Information

M-7026-G CR	6-ch AI, 2-ch AO, 3-ch DI and 3-ch DO Module using DCON and Modbus Protocols (Gray Cover) (RoHS)
--------------------	--

Accessories

tM-7520U CR	tM-7561 CR	tM-SG4 CR	I-7514U CR	SG-770 CR
RS-232 to RS-485 Converter (RoHS)	USB to RS-485 Converter (RoHS)	RS-485 Bias and Termination Resistor Module (RoHS)	4-channel RS-485 Hub (RoHS)	7/14 channel Surge Protector (RoHS)
SG-3000 Series				
Signal Conditioning Modules for Thermocouple, RTD, DC Voltage, DC Current and Power Input Transformers				