

KMDA-7611-S001

Intel® 12/13th Gen Alder Lake-S/Raptor Lake-S LGA1700 CPU, 4*LAN, 4*USB3.2, 1*HDMI, 6*COM, 8bit Iso. DIO, 1*mSATA, 2*Mini PCIe, 1*M.2 B-Key, 1*SATA3.0, DC 9-36V.

JHCTECH

IoT Computer
Connecting the Data

Embedded Box PC--KMDA Series



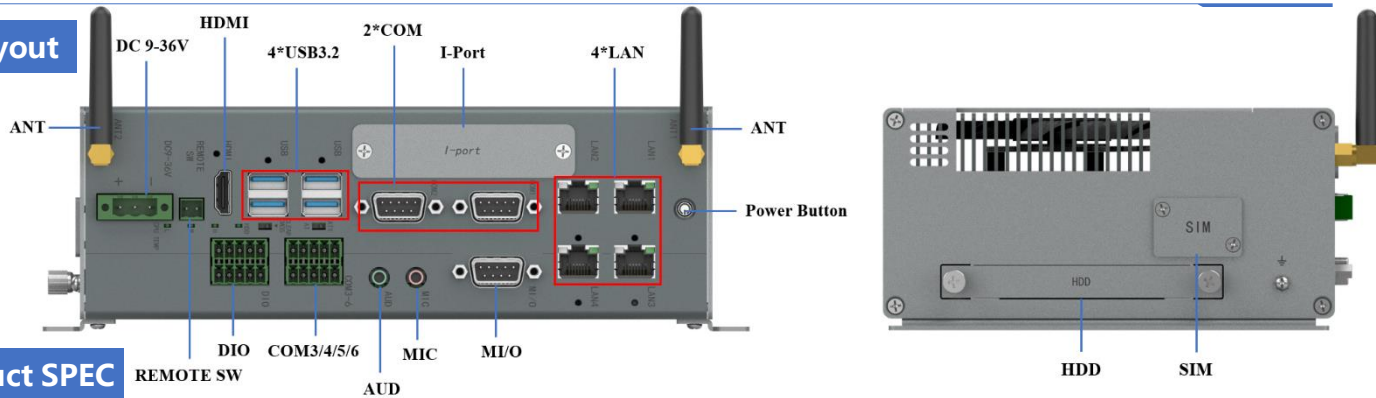
Key Features

- Intel® 12/13th Gen Alder lake-S/Raptor Lake-S LGA1700 CPU
- Intel® H610 Chipset
- 2*DDR5 4800MHz SODIMM, up to 64GB
- 1*HDMI
- 4*LAN, 4*USB3.2, 1*USB2.0, 8bit Iso. DIO
- 1*MIC+1*LINE OUT
- 2*RS232/422/485 and 4*RS232 COM
- 2*Mini-PCIe full size, function module that supports PCIe signals
- 1*M.2 3052/3042 B-Key with a SIM card slot, supports 5G NR module
- 1*2.5" Easy-plug SATA3.0 bay and 1*mSATA
- DC IN 9-36V, with OVP,OCP and SCP

Product Overview

KMDA-7611-S001 is a high-performance box computer with H610 chipset, powered by Intel® 12/13th Gen Alder lake-S/Raptor Lake-S CPU, multi IO interfaces and moderate size. It is suitable for unmanned forklifts, machine vision, and industrial control and other industries and fields.

IO Layout



Product SPEC

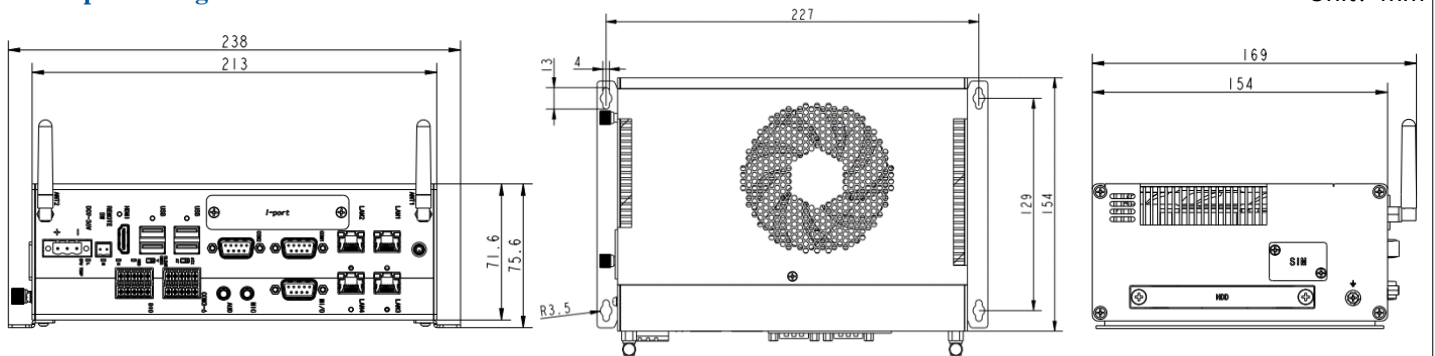
CPU+PCH	Intel® Alder lake-S/Raptor Lake-S 12/13th Gen Core™ i9/i7/i5/i3/Pentium/Celeron LGA1700 CPU, up to 65W Intel® H610 PCH
System memory	2*262-Pin SODIMM, dual-channel DDR5 4800MHz, up to 64GB
Expansion	2*full size Mini-PCIe (PCIeX1+USB2.0 signal), supports PCIe signal function module 1*M.2 3052/3042 B-Key (PCIeX1+USB2.0 signal), with SIM card slot, supports 5G NR module
Graphics	Intel® UHD Graphics, Supports DirectX 12, OpenGL 4.5, OpenCL 3.0, HDMI max res. 4096*2160@60Hz
Audio	Realtek ALC897 controller, 1*Line out and 1*MIC high fidelity Audio, supports 5.1 channel
LAN	3*Intel I210AT Gigabit Ethernet, full PCIe X1 bandwidth, 10M/100M/1000Mbps, support WOL 1*Intel I219LM Gigabit Ethernet, full PCIe X1 bandwidth, 10M/100M/1000Mbps, support WOL
Storage	1*2.5" easy-plug SATA bay, with SATA3.0 signal, max 6Gbps; 1*full size mSATA, with SATA3.0 signal, max 6Gbps
I/O Interface	4*RJ45 Gig-LAN; 2*USB3.2(gen2.0 10Gbps, Type A); 2*USB3.2 (gen1.0 5Gbps, Type A); 1*USB2.0 Type A (built-in); 2*RS232/422/485 (via BIOS, DB9 male), 4*RS232(2*5pin Phoenix terminal); 8bit Iso. DIO(2*5pin Phoenix terminal); 1*HDMI; 1*Line out+1*Mic (3.5mm phone jack)
I-port	Supports Mini PCIe and other expansion interfaces lead wire
DIO	8-bit isolated DIO, 4-bit DI is 2.5KV photoelectric isolation, supports PNP and NPN mode selection; The 4-bit DO is 2.5KV optical isolated Darlington output, and the matching resistor is built-in, which can be selected according to different driving currents; Pulse period reaches 2ms/pulse wave
LED	1*Power LED (on the power button), 1*HDD LED, 3*CPU temp LED (Red is warning, Yellow is high, Green is normal)
Control SW	1*Power SW, 1*Remote SW, 1*AT/ATX dip, 1*Clear CMOS dip
Power supply	DC IN 9-36V, 3-pin Term. block 5.0mm, with short circuit(SCP), over voltage(OVP) and over current(OCP) protection; TDP : TBD
Security	Support TPM2.0 (optional)
Watchdog timer	Watchdog timeout programmable via software 1 to 255 second
OS	Windows 11, Windows 10 IoT Enterprise 2021 LTSC, Ubuntu, SuSe, Red Hat Enterprise, Wind River Linux, Wind River VxWorks 7

Structure	Aluminum-magnesium alloy, SGCC frame
Color	Silver Gray
Mounting	Desktop Mounting (default), Wall Mounting (optional), DIN-Rail mounting (optional)
Dimension	(W*D*H): 238*169*75.6 mm (Desktop Mounting)
Net weight	TBD
Operating temperature	-20 ~ 60°C, SSD, air flow -10 ~ 55°C, HDD, air flow
Storage temperature	-40°C~85°C
Storage humidity	10~95%@40°C, Non-condensing
Vibration	5grms/5~500Hz/random/in working(SSD); 1grms/5~500Hz/random/in working(HDD)
Shock	50g peak acceleration(11ms duration)(SSD); 20g peak acceleration(11ms duration)(HDD)
EMC/Certification	CE/FCC Class A

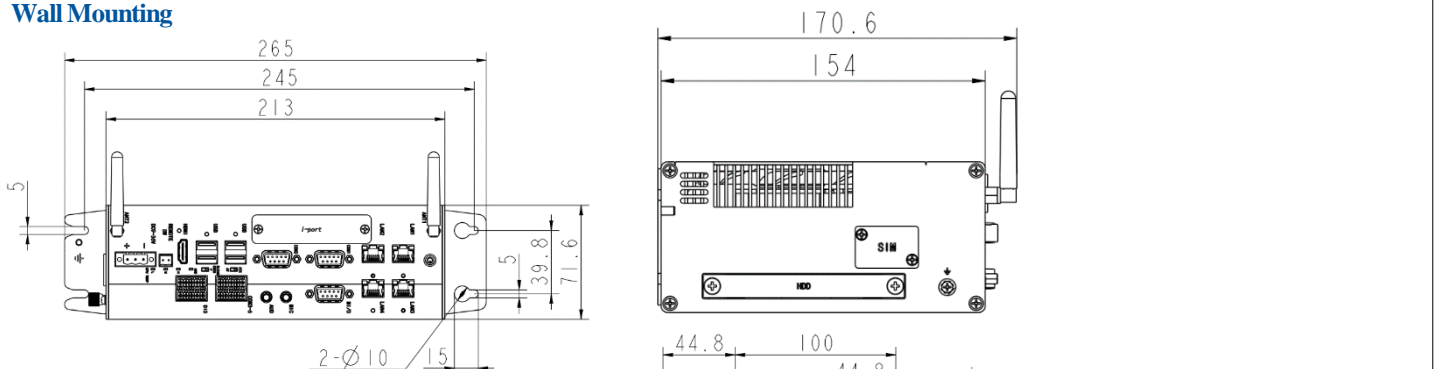
Dimension

Desktop Mounting

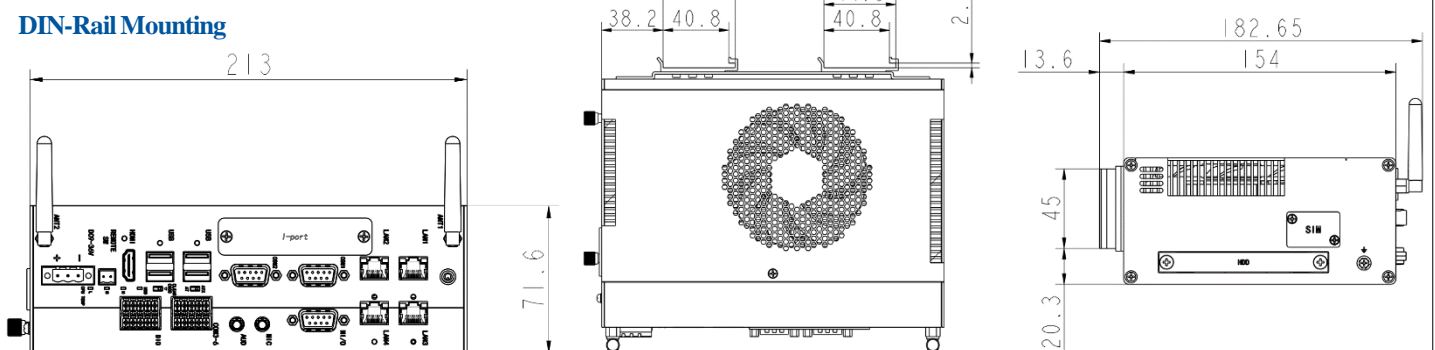
Unit: mm



Wall Mounting



DIN-Rail Mounting



Ordering Info.

Model No.	Introduction
KMDA-7611-S001	Embedded box computer, Intel® 12/13 th Gen Alderlake-S/Raptor Lake-S LGA1700 CPU, H610 PCH, 2*DDR5 SODIMM, 4*LAN, 4*USB3.2, 1*USB2.0, 6*COM, 1*HDMI, Line out & Mic, 8bit Iso. DIO, 1*I-Port, 1*M I/O, 1*2.5" SATA bay, 1*mSATA, 2*Mini PCIe, 1*M.2 B-Key, 1*SIM card slot, DC 9-36V.
PA-120DC19	AC/DC power adapter, DC 19V/6.32A,120W