



I-8112iW

2-port Isolated RS-232 Module

Features

- 2 Isolated RS-232 Serial Ports
- Baud Rate of up to 115200 bps
- Internal 128-byte Hardware FIFO for Each Port
- ± 4 kV ESD Protection on Each Port
- LED Indicators for TxD, RxD and Power Status
- 2500 VDC Isolation



Introduction

The I-8112iW-G provides 2 isolated RS-232 serial ports. It is equipped with a 128-byte hardware FIFO for each port and offers speeds up to 115.2 kbps with support for full-duplex communication. In the harsh industrial environment, the onboard ESD protection devices can divert this potentially damaging charge away from sensitive circuitry and protect the I-8112iW from permanent damage. The serial communication modules are designed for use with intelligent devices like bar code readers, serial printers, intelligent sensors, instrumentation equipment, computers, and almost any device with an RS-232 port.

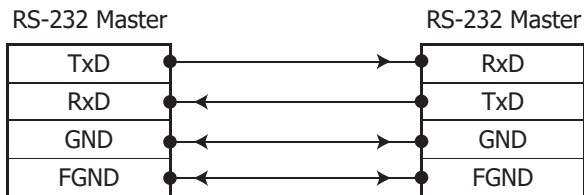
System Specifications

RS-232 Interface	
Ports	2 x RS-232
UART	16C850 Compatible
Protocol	Speed: 115200 bps Max.
	Data Bit: 5, 6, 7, 8
	Stop Bit: 1, 1.5, 2
	Parity: None, Even, Odd, Mark, Space
FIFO	Internal 128 Bytes for Each Port
Self-Tuner Asic inside	Yes
LED Display	
System LED Indicator	1 LED as Power Indicator
I/O LED Indicator	2 LEDs as TxD Indicators; 2 LEDs as RxD Indicators
Isolation	
Intra-module Isolation, Field-to-Logic	2500 VDC
EMS Protection	
ESD (IEC 61000-4-2)	± 4 kV Contact for Each port
Power	
Power Consumption	1.5 W
Mechanical	
Dimensions (W x L x H)	31 mm x 134 mm x 134 mm
Environment	
Operating Temperature	-25 ~ +75 °C
Storage Temperature	-40 ~ +85 °C
Humidity	10 ~ 90 % RH, Non-condensing

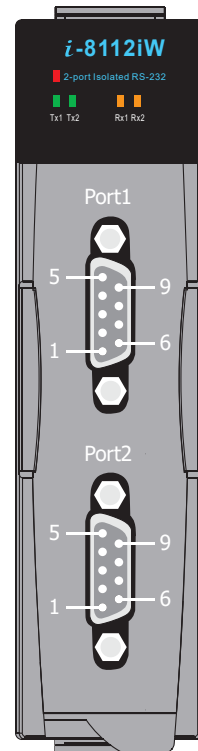
Wire Connections

DTE Device (Computer) DB9		DTE to DCE Connections		DCE Device (Modem) DB9	
Pin#	DB9 RS-232 Signal Names	Signal Direction		Pin#	DB9 RS-232 Signal Names
#1	Carrier Detector	DCD	←	#1	Carrier Detector
#2	Receive Data	RxD	←	#2	Transmit Data
#3	Transmit Data	TxD	→	#3	Receive Data
#4	Data Terminal Ready	DTR	→	#4	Data Set Ready
#5	Signal Ground/Common (SG)	GND	↔	#5	Signal Ground/Common (SG)
#6	Data Set Ready	DSR	←	#6	Data Terminal Ready
#7	Request to Send	RTS	→	#7	Clear to Send
#8	Clear to Send	CTS	←	#8	Request to Send
#9	Ring Indicator	RI	←	#9	Ring Indicator
Soldered to DB9 Metal-Shield		FGND	↔	Soldered to DB9 Metal-Shield	

3-wire RS-232 Wiring



Pin Assignments



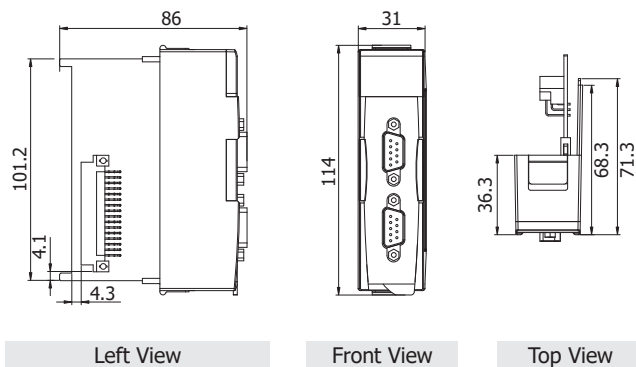
Pin Assignment	Terminal No.	Pin Assignment
GND1	05	09 RI1
DTR1	04	08 CTS1
TxD1	03	07 RTS1
RxD1	02	06 DSR1
DCD1	01	

Port1
9-pin Male
D-Sub Connector

Pin Assignment	Terminal No.	Pin Assignment
GND2	05	09 RI1
DTR2	04	08 CTS2
TxD2	03	07 RTS2
RxD2	02	06 DSR2
DCD2	01	

Port2
9-pin Male
D-Sub Connector

Dimensions (Units: mm)



Accessories



CA-0915 9-Pin Male-Female D-Sub Cable, 1.5 m (RoHS)

Ordering Information

I-8112iW-G CR 2-port Isolated RS-232 Module (Gray Cover) (RoHS)