

Intel® Comet Lake Core™ i5 Fanless Box Computer with 2x COM, 8x USB, 2x LAN

Overview

NBC-1350 is an advanced industrial computer equipped with extensive I/O options, offering great flexibility and effortless Mini PCIe expansion capabilities. It boasts wide-input power ranges, wide temperature tolerances, and enhanced structural durability, making it an excellent choice for industrial applications.

Features

- Intel® Comet Lake Core™ i5-10210U Processor
- 2x COM (RS-232/485), 2x LAN, 8x USB, HDMI, DP
- 1x 2.5" SATA HDD/SSD, 1x mSATA
- 1x M.2 2280 NVME, 1x M.2 Key E, 1x M.2 Key B
- 12VDC power input



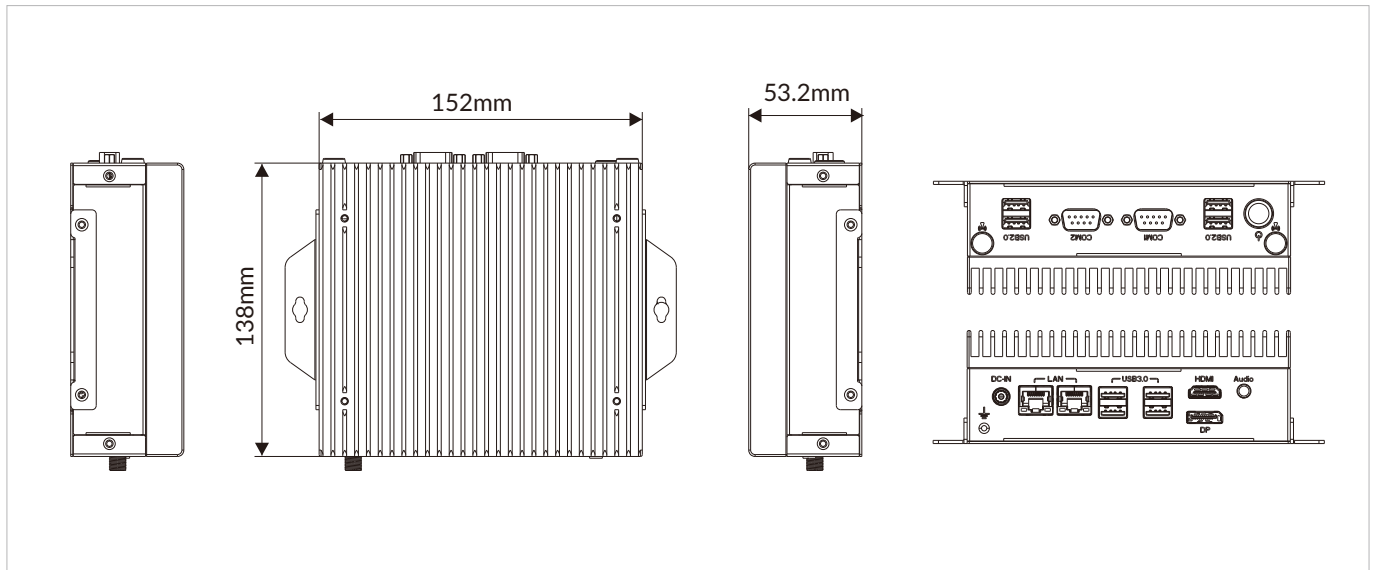
I/O Interfaces



Specifications

| | |
|-------------------------|---|
| System | |
| CPU | Intel® Core™ i5-10210U Processor |
| CPU TDP | 15W |
| Memory | 1x DDR4 3200 MHz SO-DIMM up to 32GB |
| Storage | 1x 2.5" SATA HDD 1x M.2 2280 NVME |
| BIOS | AMI UEFI |
| Watchdog Timer | Software Programmable. Supports 256 levels system reset |
| I/O Ports | |
| USB | 4x USB 2.0, 4x USB 3.0 |
| Serial | 2x COM (RS-232/485) |
| Ethernet | 2x RJ45 GbE Intel® I210AT+i225V |
| Display | 1x DP, 1x HDMI |
| SIM Card Slot | 1x SIM card slot (inside) |
| Antenna | 2x SMA antenna holes |
| Expansion Slot | |
| Mini PCIe | 1x Full length Mini PCIe |
| M.2 | 1x M.2 2280 NVME, 1x M.2 Key E, 1x M.2 Key B |
| RF Communication | |
| Wi-Fi | M.2 expansion (optional) |
| Cellular | M.2 expansion (optional) |
| Bluetooth | M.2 expansion (optional) |
| GNSS | M.2 expansion (optional) |
| Audio | |
| Audio | Mic in, line out |
| Power | |
| Button | Yes |
| DC Input | 12VDC |
| Power Mode | AT/ATX |
| Operating System | |
| Windows | Windows 10 |
| Linux | Ubuntu |
| Mechanical | |
| Dimensions (W x D x H) | 152x 138x 53mm (5.98 x 5.43 x 2.09 inches) |
| Weight (N.W.) | 1.3 kg (2.87 lbs) |
| Mounting | Wall mount |
| Material | Aluminum alloy |
| Environment | |
| Operating Temperature | -10 to 60°C (14 to 140°F) |
| Storage Temperature | -20 to 60°C (-4 to 140°F) |
| Relative Humidity | 10% to 95% @ 40°C (104°F), non-condensing |
| Certification | |
| EMC | CE, FCC Class A |

Dimensions



Optional Accessories

| Part No. | Description |
|-----------------|--------------------------------|
| A.02.001.000022 | AC/DC power adaptor 60W 12V 5A |

Ordering Information

| Part No. | Description |
|----------|--|
| NBC-1350 | 10210U NBC with 2x COM (RS-232/485), 2x LAN, 8x USB, DP, HDMI, 12VDC |