

APC-9156

15.6", Capacitive Touch Screen, Android 10, Ture-Flat Android Panel PC



Features

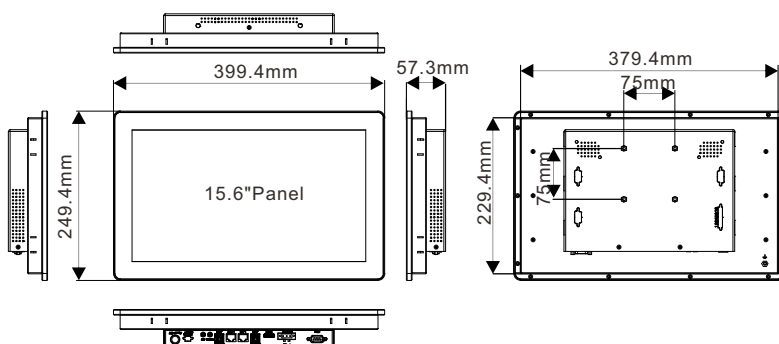
- 15.6" LED backlight LCD and P-Cap Multi-Touch Panel
- Front Panel IP65
- Rockchip RK3399, ARM 2xCortex-A72+4xCortex-A53 1.8GHZ
- Panel and VESA Mounting



Specifications

System		Audio	
CPU	Rockchip RK3399, ARM 2xCortex-A72+4xCortex-A53 1.8GHZ	Audio	1 x Line-out 1 x Line-in
GPU	Mali-T860 GPU MP4 GPU	Speaker	2 x Speaker (Optional)
Memory	DDR3 4GB	Wireless	
Storage	EMMC 16G/32G	WIFI	2.4GHz/5GHz
Operating System	Android 10	M.2	M.2 3042 for 4G ; M.2 3052 for 5G ;
Display		Power Specification	
Size	15.6-inch	Power Input	9~36V
Resolution	1366 x 768 & 1920*1080	Power Adapter	AC-DC, 12V@5A, 60W
Viewing Angle	80/80/80/80 & 85/85/85/58	Power Consumption	15W(Typ.)
Color Support	16.7M & 16.2M	Environment	
Brightness	300 cd/m ² & 450 cd/m ²	Operating Temperature	-10~50°C
Contrast Ratio	500:1 & 800:1	Storage Temperature	-20~60°C
Response Time	3/0 (Typ.)(Tr/Td) ms	Relative Humidity	10%-90%,@ 40°C (non-condensing)
Backlight	LED	Vibration	5~500Hz, 0.026 G ² /Hz, 2.16 Grms, X, Y, Z, 1 hour per axis
Backlight Life	50000h	Certifications	CE, FCC
Touch screen		Physical Characteristics	
Type	Projection Multi Touch Capacitive Touch Screen	Hoasing	Aluminum Alloy Panel, All-metal Structure
Control Interface	USB	Mounting Mode	Panel-mount, VESA-mount
Surface Hardness	≥6H	Dimension (W x L x H)	399.4 x 249.4 x 57.3 mm
Transmittance	85%	Weight	4.0Kg
I/O Connectors			
Serial Port	1x RS-232		
USB Port	4 x USB3.0		
Ethernet	2 x GbE LAN		
GPIO	1 x GPIO (Optional)		
Others	1 x DC-IN (3-Pin Phoenix) 1 x Remote Switch Connector 1 x ATX Power Switch		

Dimension



- | | |
|-------------|------------------|
| A: COM | G: USB |
| B: DC 9~36V | H: Line-out |
| C: HDMI | I: Mic |
| D: USB | J: Remote Switch |
| E: LAN1 | K: Power SW |
| F: LAN2 | |