



tM-C8

8-channel Isolated Digital Output Module

Features

- Sink-type Digital Outputs
- Photocoupler Isolation
- Configurable Power-on Value and Safe Value Settings
- Dual Watchdog



Introduction

The tM-C8 provides 8 channels for digital output, each of which features photocoupler isolation. The tM-C8 supports sink-type output with short circuit protection and there are options for configuring power-on and safe digital output values. 4 kV ESD protection and 3750 VDC intra-module isolation are also provided.

System Specifications

CPU Module	
Watchdog Timer	Module, Communication (Programmable)
Isolation	
Intra-module Isolation	3750 VDC
EMS Protection	
EFT (IEC 61000-4-4)	±4 kV for Power
ESD (IEC 61000-4-2)	±4 kV Contact for Each Terminal ±8 kV Air for Random Point
LED Indicators	
Status	1 x Power and Communication
COM Ports	
Ports	1 x RS-485
Baud Rate	1200 ~ 115200 bps
Data Format	(N, 8, 1), (N, 8, 2), (O, 8, 1), (E, 8, 1)
Protocol	DCON, Modbus RTU, Modbus ASCII
Power	
Reverse Polarity Protection	Yes
Consumption	0.8 W Max.
Powered from Terminal Block	10 ~ 30 VDC
Mechanical	
Dimensions (mm)	52 x 98 x 27 (W x L x H)
Installation	DIN-Rail Mounting
Environmental	
Operating Temperature	-25 ~ +75 °C
Storage Temperature	-30 ~ +75 °C
Humidity	10 ~ 95% RH, Non-condensing

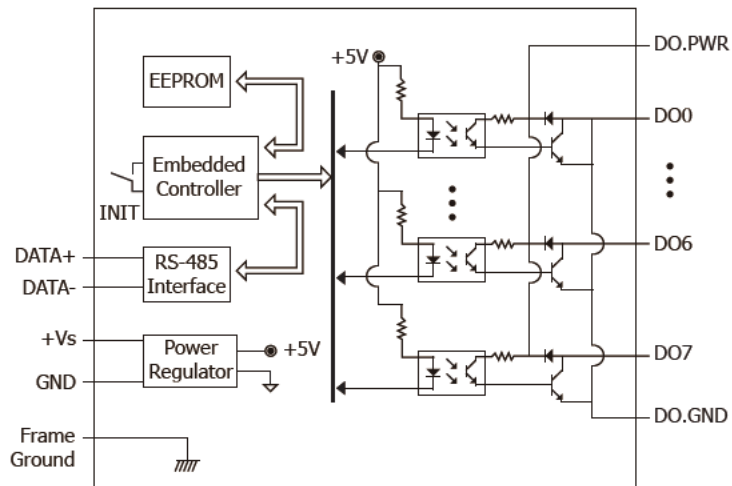
Applications

- All Kinds of On/Off Control
- Industrial Automation
- Industrial Machinery
- Building Automation
- Food and Beverage Systems
- Semiconductor Fabrication
- Control Systems

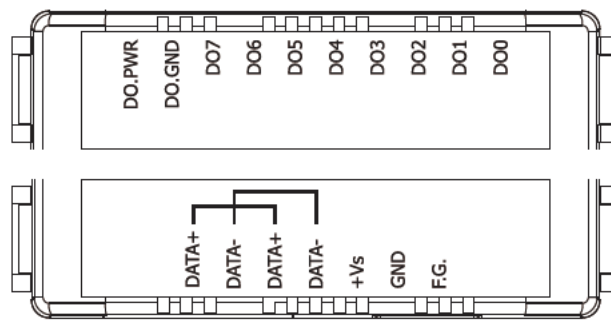
I/O Specifications

Digital Output	
Channels	8
Type	Isolated Open Collector
Sink/Source (NPN/PNP)	Sink
Load Voltage	+3.5 ~ +50 VDC
Max. Load Current	700 mA/channel
Overvoltage Protection	60 VDC
Overload Protection	1.4 A
Short-Circuit Protection	Yes
Power on Value	Programmable
Safe Value	Programmable

Internal I/O Structure



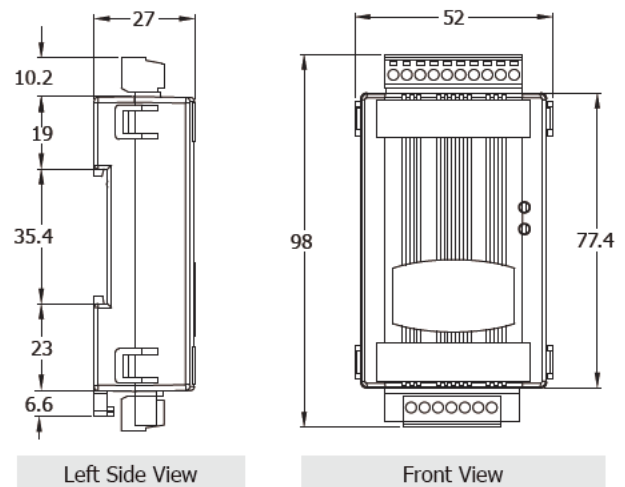
Pin Assignments



Wire Connections

Output Type	ON State Readback as 1	OFF State Readback as 0
	Relay ON	Relay OFF
Drive Relay		
Resistance Load		

Dimensions (Units: mm)



Ordering Information

tM-C8 CR	8-channel Isolation DO (Sink, NPN) Module (RoHS)
----------	--