

EtherCAT



## ECAT-2057-32

EtherCAT Slave I/O Module with Isolated 32-channel Digital Outputs

### Features

- On the fly processing: EtherCAT
- Powerful MCU handles efficient network traffic
- 2 x RJ-45 bus interface
- Distance between stations up to 100 m (100 BASE-TX)
- Support daisy chain connection
- EtherCAT conformance test tool verified
- Removable terminal block connector
- LED indicators for the output status
- Built-In isolated 32-channel Digital Outputs
- RoHS compliant
- ESD Protection 4 KV Contact for each channel



### Introduction

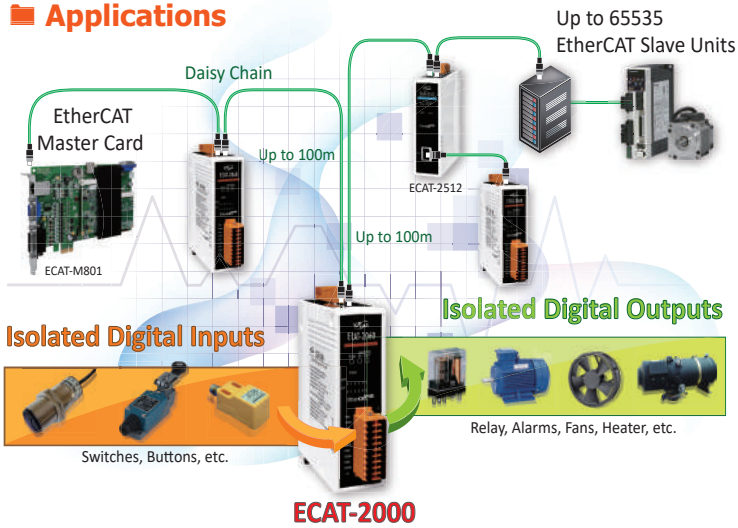
The ECAT-2057-32 is an industrial slave I/O module built in 32 Digital Outputs. It is equipped with the EtherCAT\* protocol and installed by daisy chain connection that provides a more scalable system with fewer wires. Users can obtain the input and output status not only via the process data but also from its LED indicators. The ECAT-2057-32 has passed and verified by the conformance test tool, therefore eligible EtherCAT Master or configurator can manipulate it simply and implement your various applications easily.

\* EtherCAT® is registered trademark and patented technology, licensed by Beckhoff Automation GmbH, Germany.

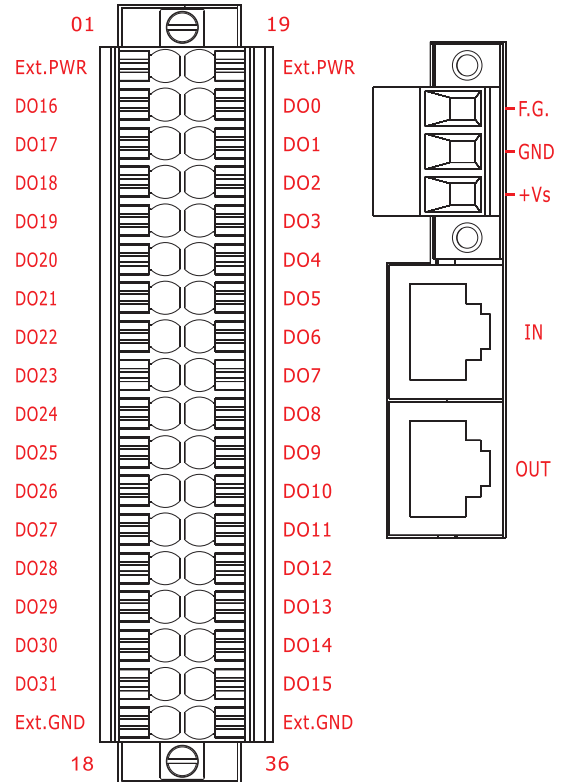
### Hardware Specifications

Digital Output	
Channels	32
Output Type	Open Collector (Source , PNP)
Load Voltage	+10 ~ +40 Vdc
Max. Load Current	500 mA per channel
Isolation Voltage	2500 Vdc
Communication Interface	
Connector	2 x RJ-45
Protocol	EtherCAT
Distance between Stations	Max. 100 m (100 BASE-TX)
Data Transfer Medium	Ethernet/EtherCAT Cable (Min. CAT 5), Shielded
EMS Protection	
ESD (IEC 61000-4-2)	±4 kV Contact for Each Terminal
EFT (IEC 61000-4-4)	Signal: 1 KV Class A; Power: 1 KV Class A
Surge (IEC 61000-4-5)	1 KV Class A
Power	
Input Voltage Range	+10 ~ +30 Vdc
Power Consumption	1.9 W Max.
Mechanical	
Dimensions (W x L x H)	31 mm x 157 mm x 126 mm
Installation	DIN-Rail Mounting
Case Material	UL 94V-0 Housing
Environment	
Operating Temperature	-25 ~ +75°C
Storage Temperature	-30 ~ +80°C
Relative Humidity	10 ~ 90% RH, Non-condensing

## Applications



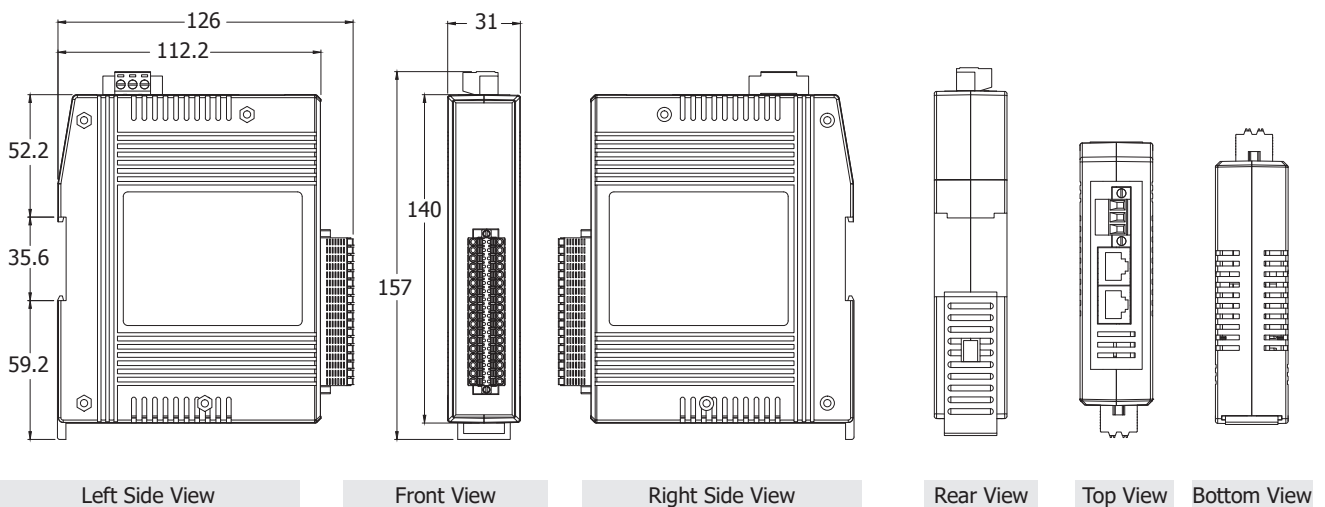
## Pin Assignments



## Wire Connections

Output Type	ON State Readback as 1	OFF State Readback as 0
Drive Relay		
Resistance Load		

## Dimensions (Units: mm)



## Ordering Information

**ECAT-2057-32 CR**

EtherCAT Slave I/O Module with Isolated 32-channel Digital Outputs (RoHS)