

EtherCAT



ECAT-2055-32

EtherCAT Slave I/O Module with Isolated 16-channel DO and 16-channel DI

Features

- On the fly processing: EtherCAT
- Powerful MCU handles efficient network traffic
- 2 x RJ-45 bus interface
- Distance between stations up to 100 m (100 BASE-TX)
- Support daisy chain connection
- EtherCAT conformance test tool verified
- Removable terminal block connector
- LED indicators for the output status
- Built-In Inputs and Outputs: 16 DI and 16 DO
- RoHS compliant
- ESD Protection 4 KV Contact for each channel



Introduction

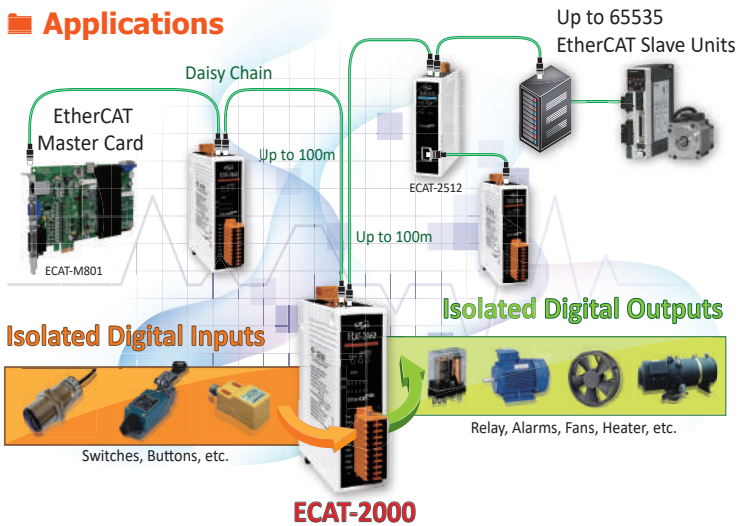
The ECAT-2055-32 is an industrial slave I/O module built in 8 digital inputs and 8 digital outputs. It is equipped with the EtherCAT* protocol and installed by daisy chain connection that provides a more scalable system with fewer wires. Users can obtain the input and output status not only via the process data but also from its LED indicators. The ECAT-2055-32 has passed and verified by the conformance test tool, therefore eligible EtherCAT Master or configurator can manipulate it simply and implement your various applications easily.

* EtherCAT® is registered trademark and patented technology, licensed by Beckhoff Automation GmbH, Germany.

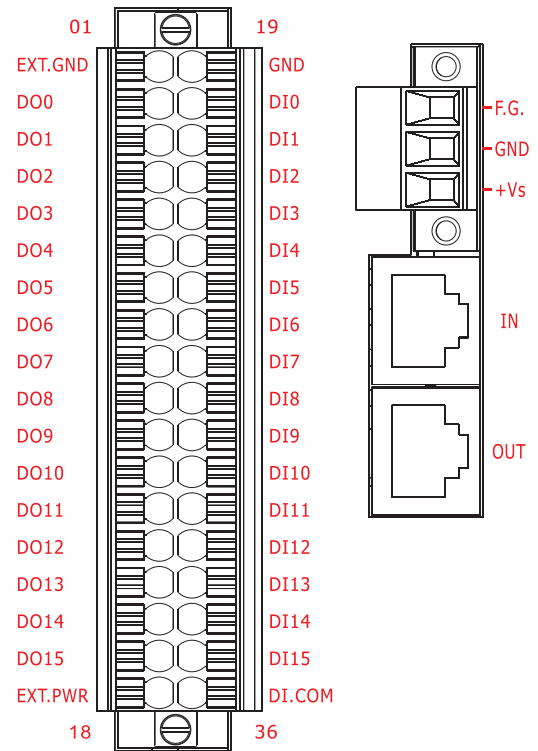
Hardware Specifications

Digital Input		
Channels		16
Input Type		Wet (Sink/Source)/ Dry (Source)
Wet Contact	ON Voltage Level	+10 V ~ +50 V
	OFF Voltage Level	+4 V Max.
Dry Contact	ON Voltage Level	Close to GND
	OFF Voltage Level	Open
Photo-Isolation		3750 Vdc
Digital Output		
Channels		16
Output Type		Open Collector (Sink , NPN)
Load Voltage		+3.5 ~ +50 V
Max. Load Current		700 mA per channel
Isolation Voltage		3750 Vdc
Communication Interface		
Connector		2 x RJ-45
Protocol		EtherCAT
Distance between Stations		Max. 100 m (100 BASE-TX)
Data Transfer Medium		Ethernet/EtherCAT Cable (Min. CAT 5), Shielded
EMS Protection		
ESD (IEC 61000-4-2)		±4 kV Contact for Each Terminal
EFT (IEC 61000-4-4)		Signal: 1 KV Class A; Power: 1 KV Class A
Surge (IEC 61000-4-5)		1 KV Class A
Power		
Input Voltage Range		+10 ~ +30 Vdc
Power Consumption		4 W Max.
Mechanical		
Dimensions (W x L x H)		31 mm x 157 mm x 126 mm
Installation		DIN-Rail Mounting
Case Material		UL 94V-0 Housing
Environment		
Operating Temperature		-25 ~ +75°C
Storage Temperature		-30 ~ +80°C
Relative Humidity		10 ~ 90% RH, Non-condensing

Applications



Pin Assignments

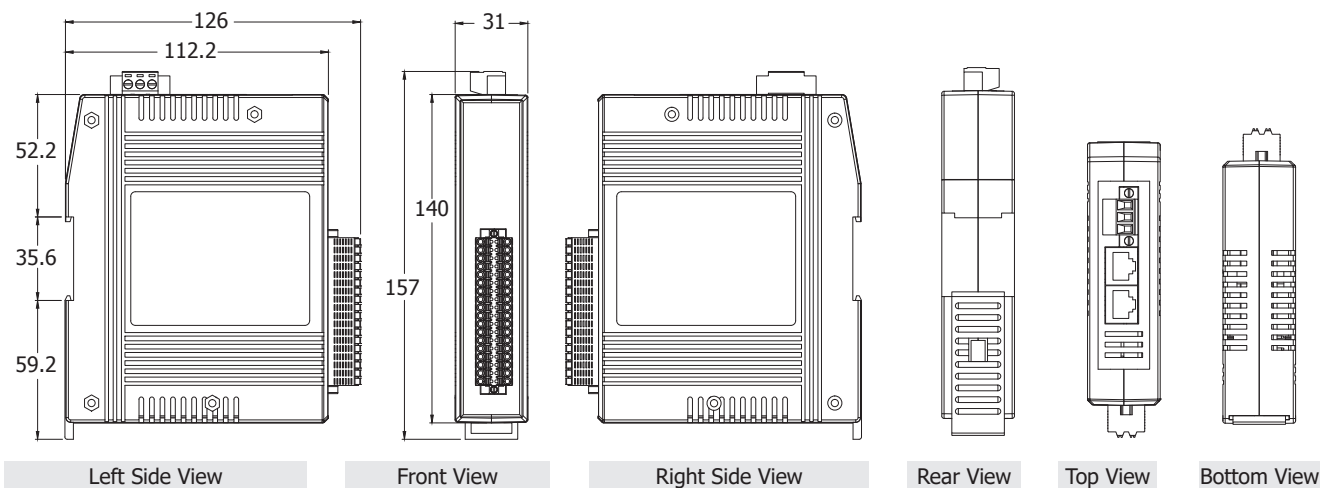


Wire Connections

Digital Input/Counter	Readback as 1	Readback as 0
Sink	+10 ~ +50 VDC	OPEN or <4 Vdc
Source	+10 ~ +50 VDC	OPEN or <4 Vdc
Dry Contact	Close to GND	Open

Output Type	ON State Readback as 1	OFF State Readback as 0
Drive Relay		
Resistance Load		

Dimensions (Units: mm)



Ordering Information

ECAT-2055-32 CR	EtherCAT Slave I/O Module with Isolated 16-channel DO and 16-channel DI (RoHS)
------------------------	--