

EtherCAT



## ECAT-2051-32

EtherCAT Slave I/O Module with Isolated 32-channel Digital Inputs

### Features

- On the fly processing: EtherCAT
- Powerful MCU handles efficient network traffic
- 2 x RJ-45 bus interface
- Distance between stations up to 100 m (100 BASE-TX)
- Support daisy chain connection
- EtherCAT conformance test tool verified
- Removable terminal block connector
- LED indicators for the input status
- Built-In isolated 32 digital inputs
- RoHS compliant
- ESD Protection 4 KV Contact for each channel



### Introduction

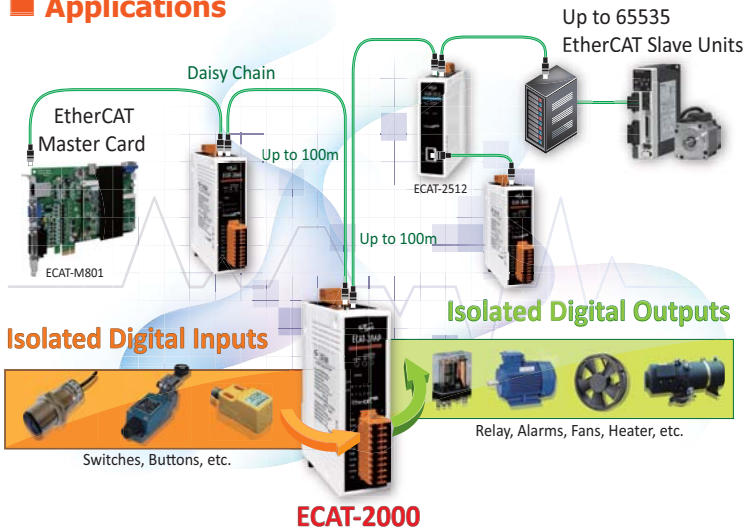
The ECAT-2051-32 is an industrial slave I/O module built in 16 digital inputs. It is equipped with the EtherCAT\* protocol and installed by daisy chain connection that provides a more scalable system with fewer wires. Users can obtain the input and output status not only via the process data but also from its LED indicators. The ECAT-2051-32 has passed and verified by the conformance test tool, therefore eligible EtherCAT Master or configurator can manipulate it simply and implement your various applications easily.

\* EtherCAT® is registered trademark and patented technology, licensed by Beckhoff Automation GmbH, Germany.

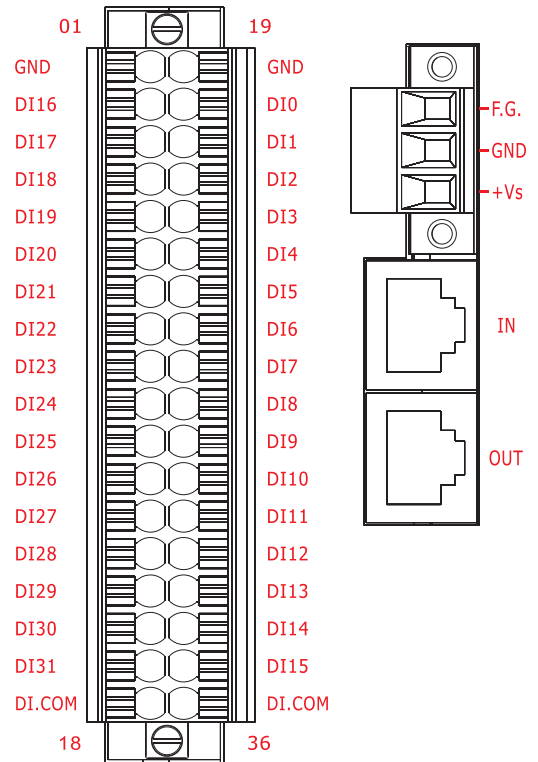
### Hardware Specifications

Digital Input		
Channels	32	
Input Type	Wet (Sink/Source)/ Dry (Source)	
Wet Contact	ON Voltage Level	+10 V ~ +50 V
	OFF Voltage Level	+4 V Max.
Dry Contact	ON Voltage Level	Close to GND
	OFF Voltage Level	Open
Photo-Isolation	3750 Vdc	
Communication Interface		
Connector	2 x RJ-45	
Protocol	EtherCAT	
Distance between Stations	Max. 100 m (100 BASE-TX)	
Data Transfer Medium	Ethernet/EtherCAT Cable (Min. CAT 5), Shielded	
EMS Protection		
ESD (IEC 61000-4-2)	±4 kV Contact for Each Terminal	
EFT (IEC 61000-4-4)	Signal: 1 KV Class A; Power: 1 KV Class A	
Surge (IEC 61000-4-5)	1 KV Class A	
Power		
Input Voltage Range	+10 ~ +30 Vdc	
Power Consumption	4 W Max.	
Mechanical		
Dimensions (W x L x H)	31 mm x 157 mm x 126 mm	
Installation	DIN-Rail Mounting	
Case Material	UL 94V-0 Housing	
Environment		
Operating Temperature	-25 ~ +75°C	
Storage Temperature	-30 ~ +80°C	
Relative Humidity	10 ~ 90% RH, Non-condensing	

## Applications



## Pin Assignments

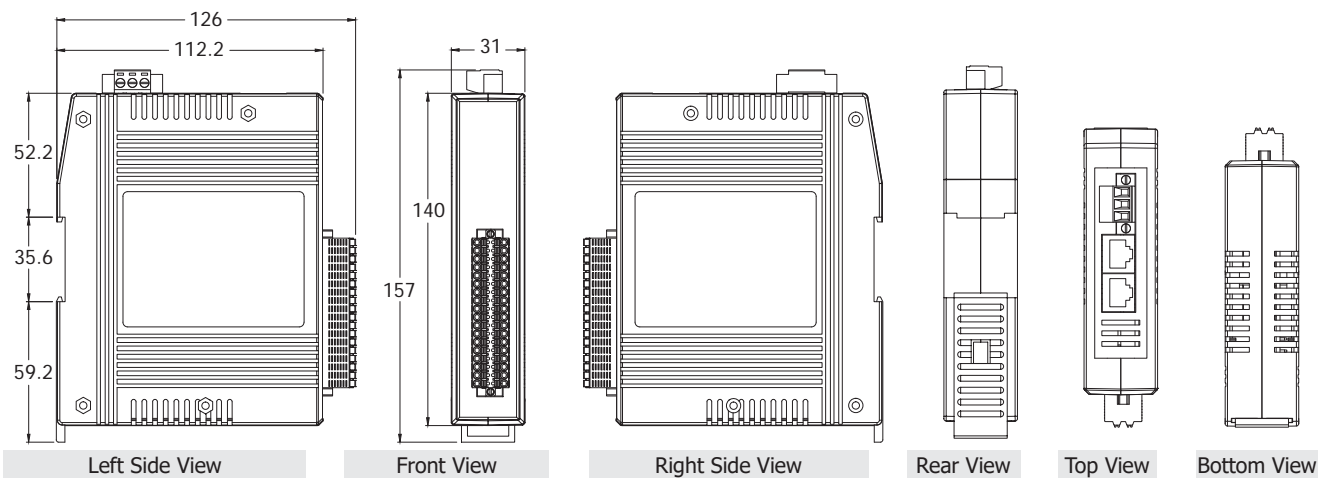


## Wire Connections

Digital Input/Counter	Readback as 1	Readback as 0
	+10 ~ +50 Vdc	OPEN or <4 Vdc
Sink		
	+10 ~ +50 Vdc	OPEN or <4 Vdc
Source		

Digital Input/Counter	Readback as 1	Readback as 0
	Close to GND	Open
Dry		

## Dimensions (Units: mm)



## Ordering Information

<b>ECAT-2051-32 CR</b>	EtherCAT Slave I/O Module with Isolated 32-channel Digital Inputs (RoHS)
------------------------	--