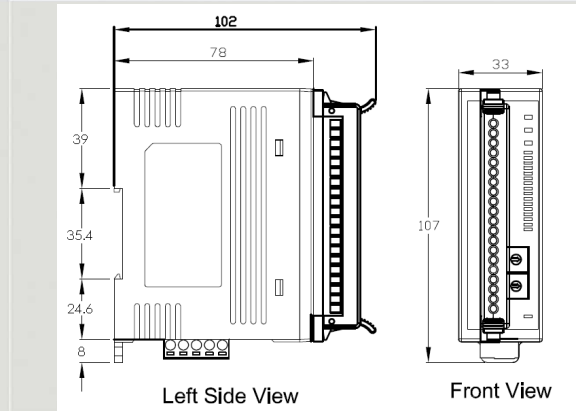


Analog Input Module of CANopen Slave



CAN-2015C



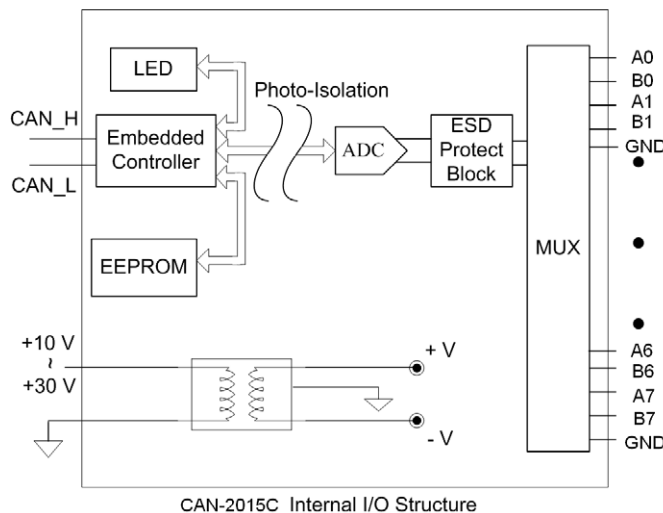
Dimensions

CAN-2015C module follows the CiA-301 version 4.02 and CiA-401 version 2.1. You can access the RTD input and set the configuration by using standard CANopen protocol. CAN-2015C has passed the validation of the CiA CANopen Conformance Test tool. Therefore, you can use it with standard CANopen master easily by applying the EDS file. CAN-2015C has 8 RTD input channels. By the CANopen masters of ICP DAS, you can quickly build a CANopen network to approach your requirement.

Features

- Provide default EDS file
- Passed the validation of CiA CANopen Conformance Test tool
- ESD Protection 4 KV Contact for each channel
- Support Power Supply +10 ~ +30 VDC
- Support CiA-301 v4.02, CiA-401 v2.1
- Support Dynamic PDO

Internal I/O Structure



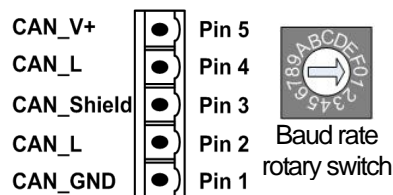
I/O Pin & Wire Connection

Terminal No.	Pin Assignment
01	A0
02	B0
03	A1
04	B1
05	GND
06	A2
07	B2
08	A3
09	B3
10	GND
11	A4
12	B4
13	A5
14	B5
15	GND
16	A6
17	B6
18	A7
19	B7
20	GND

2-Wire of RTD

3-Wire of RTD

CAN Pin & Baud Rate Rotary

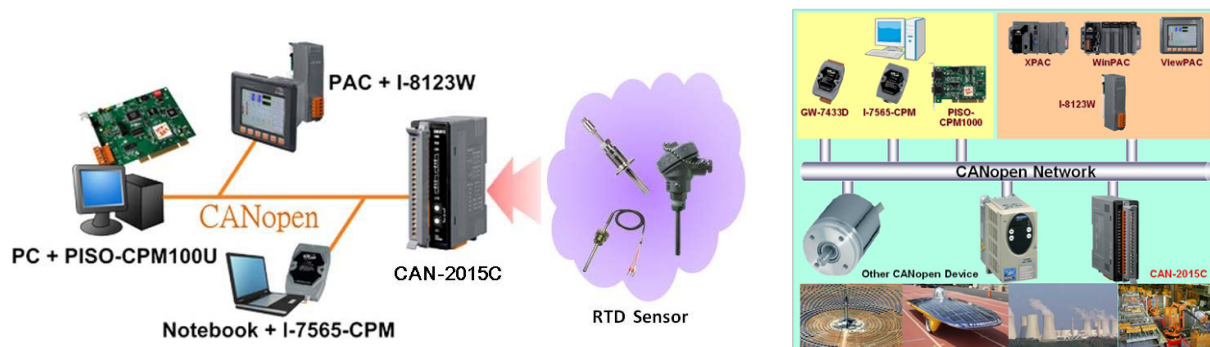


Switch Value	Baud Rate
0	10 kbps
1	20 kbps
2	50 kbps
3	125 kbps
4	250 kbps
5	500 kbps
6	800 kbps
7	1000 kbps

Hardware Specifications

CAN Interface	
Connector	5-pin screwed terminal block (CAN_GND, CAN_L, CAN_SHLD, CAN_H, CAN_V+)
Baud Rate (bps)	10 k, 20 k, 50 k, 125 k, 250 k, 500 k, 800 k, 1M
Terminal Resistor	Switch for 120 Ω terminal resistor
Node ID	1~99 selected by rotary switch
Protocol	CANopen CiA-301 ver4.02, CiA-401 ver2.1
PDO Mode	Event Triggered, Remotely requested, Cyclic and acyclic SYNC
Error Control	Node Guarding protocol and Heartbeat Producer protocol
Analog Input	
Channels	8 RTD Input (2/3-wire)
Input Type	Pt100, Pt1000, Ni120, Cu100, Cu1000
Resolution	16 Bits
ESD Protection	4 kV Contact for each channel
Sampling Rate	10 Samples/Sec. (Total)
Accuracy	+/-0.05% FSR
Over Voltage	120 V _{DC} / 110 V _{AC}
Input Impedance	20mΩ
LED	
Round LED	PWR LED, RUN LED, ERR LED
Alarm LED	8 LEDs as over Upper Limit Indicators, and 8 LEDs as below the Lower Limit Indicators
Power	
Input range	Unregulated +10 ~ +30 V _{DC}
Power Consumption	2.0 W
Mechanism	
Installation	DIN-Rail
Dimensions	33 mm x 99 mm x 78 mm (W x L x H)
Environment	
Operating Temp.	-25 ~ 75 °C
Storage Temp.	-30 ~ 80 °C
Humidity	10 ~ 90% RH, non-condensing

Applications



Ordering Information

CAN-2015C	CANopen module of 8- channel RTD Input
------------------	--