



ET-7053
PET-7053

(PoE) Ethernet I/O Module with 16-ch DI

ET-7253
PET-7253

Features

- Built-in Web Server
- Web HMI
- Support for both Modbus TCP and Modbus UDP Protocols
- Communication Security
- 2-port Ethernet Switch (LAN Bypass) for Daisy-Chain Wiring
- Dual Watchdog
- I/O Pair Connection
- Built-in I/O
- DI/Counter: 16 Channels



Introduction

The ET-7053/PET-7053/ET-7253/PET-7253 provides 16 dry contact digital input channels. Each input channel can be used as a 32-bit counter. It features optical isolation for 3750 Vrms of transient overvoltage protection but doesn't provide channel-to-channel isolation. It can safely be used in applications where hazardous voltages are present.

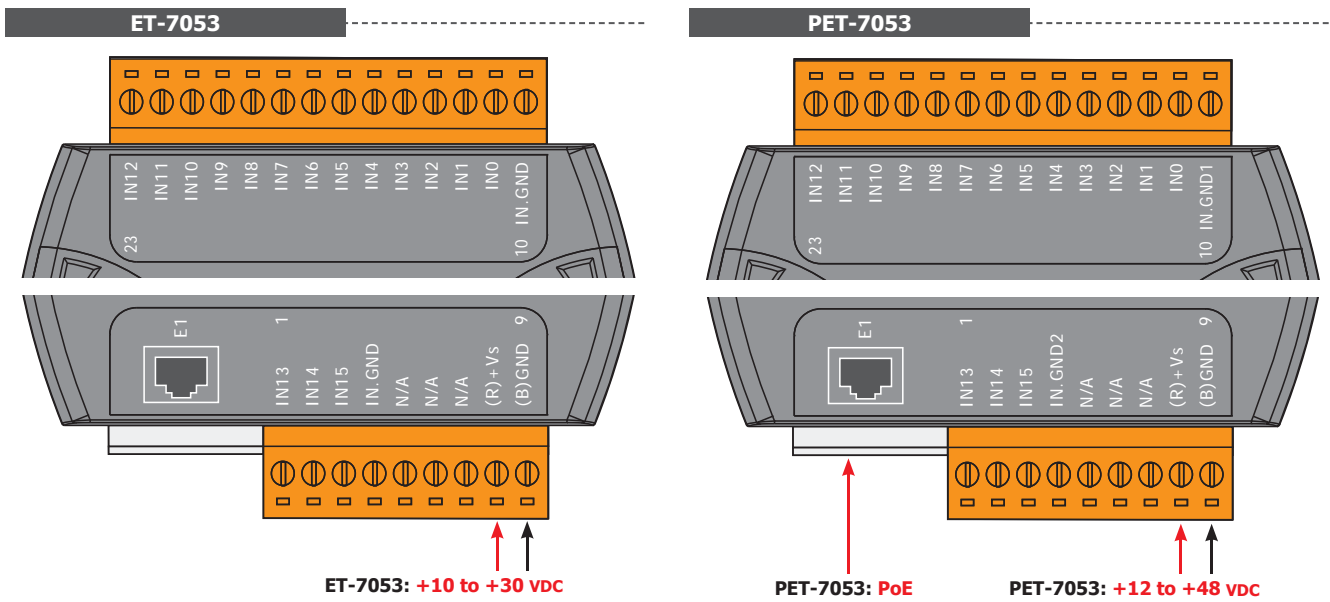
System Specifications

Model	ET-7053	PET-7053	ET-7253	PET-7253
Software				
Built-in Web Server	Yes			
CPU Module				
Watchdog Timer	Module, Communication (Programmable)			
2-Way Isolation				
Ethernet	1500 VDC	-	1500 VDC	-
I/O	2500 VDC			
EMS Protection				
EFT (IEC 61000-4-4)	±4 kV for Power Line			
ESD (IEC 61000-4-2)	±4 kV Contact for Each Terminal ±8 kV Air for Random Point			
LED Indicators				
Status	Run, Ethernet	Run, Ethernet, PoE	Run, Ethernet, I/O	Run, Ethernet, I/O, PoE
Ethernet				
Ports	1 x RJ-45, 10/100 Base-TX		2 x RJ-45, 10/100 Base-TX, Switch Ports	
PoE	-	Yes	-	Yes
LAN bypass	-		Yes	
Security	ID, Password and IP Filter			
Protocol	Modbus TCP, Modbus UDP			
Power				
Reverse Polarity Protection	Yes			
Consumption	2.7 W (max.)	2.8 W (max.)	3.7 W (max.)	4.1 W (max.)
Powered from PoE	-	IEEE 802.3af, Class1	-	IEEE 802.3af, Class1
Powered from Terminal Block	+10 to +30 VDC	+12 to +48 VDC		
Mechanical				
Dimensions (mm)	72 x 123 x 35 (W x L x H)		76 x 120 x 38 (W x L x H)	
Installation	DIN-Rail mounting			
Environment				
Operating Temperature	-25 to +75°C			
Storage Temperature	-30 to +80°C			
Humidity	10 to 90% RH, Non-condensing			

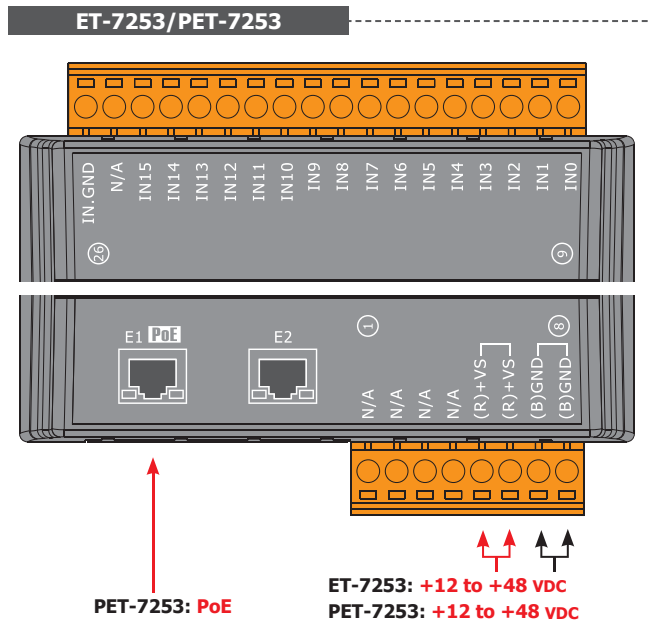
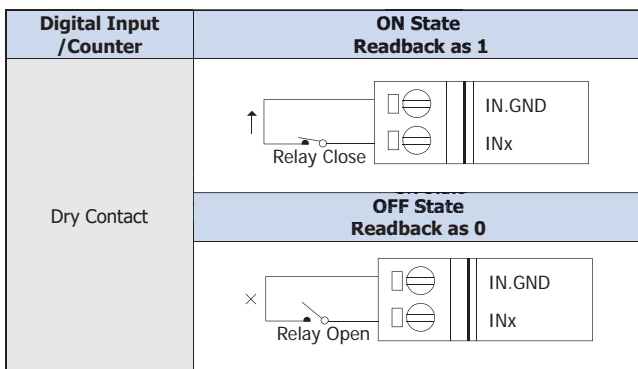
I/O Specifications

Model	ET-7053	PET-7053	ET-7253	PET-7253
Digital Input/Counter				
Channels	16			
Type	Dry Contact			
Sink/Source (NPN/PNP)	Source			
ON Voltage Level	Close to GND			
OFF Voltage Level	Open			
Max. Counts	4,294,967,295 (32-bit)			
Frequency	500 Hz		100 Hz	
Min. Pulse Width	1 ms		5 ms	
Effective Distance	500m (max.)			

Pin Assignments



Wire Connections



Ordering Information

ET-7053 CR	Ethernet I/O Module with 16-ch DI (RoHS)
PET-7053 CR	PoE Ethernet I/O Module with 16-ch DI (RoHS)
ET-7253 CR	Ethernet I/O Module with 2-port Ethernet Switch and 16-ch DI (RoHS)
PET-7253 CR	PoE Ethernet I/O Module with 2-port Ethernet Switch and 16-ch DI (RoHS)