



ET-7042
ET-7042-UT
PET-7042

ET-7242
ET-7242-UT
PET-7242

(PoE) Ethernet I/O Module with 16-ch DO

Features

- Built-in Web Server
- Web HMI
- Support for both Modbus TCP and Modbus UDP Protocols
- Communication Security
- 2-port Ethernet Switch (LAN Bypass) for Daisy-Chain Wiring
- Dual Watchdog
- I/O Pair Connection
- Built-in I/O
 - DO: 16 Channels
- Wide Operating Temperature Range
 - ET-7x42-UT: -40 ~ +75°C



Introduction

The ET-7042/PET-7042/ET-7242/PET-7242 provides 16 sink-type digital output channels. It features optical isolation for 3750 VDC of transient overvoltage protection and doesn't have channel-to-channel isolation. The power-on value and safe value of the digital output channel are programmable. In some industrial applications, the user can connect the output channel of ET-7042/PET-7042/ET-7242/PET-7242 to the RM series relay module to switch inductive loads.

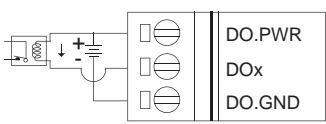
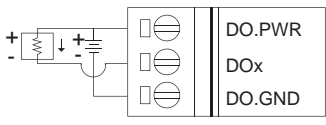
System Specifications

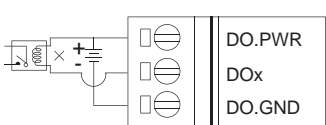
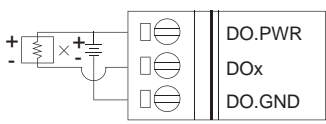
Model	ET-7042	ET-7042-UT	PET-7042	ET-7242	ET-7242-UT	PET-7242
Software						
Built-in Web Server	Yes					
CPU Module						
Watchdog Timer	Module, Communication (Programmable)					
2-Way Isolation						
Ethernet	1500 VDC		-	1500 VDC		-
I/O	2500 VDC			3750 VDC		
EMS Protection						
EFT (IEC 61000-4-4)	±4 kV for Power Line					
ESD (IEC 61000-4-2)	±4 kV Contact for Each Terminal ±8 kV Air for Random Point					
Surge (IEC 61000-4-5)	±0.5 kV for Power Line			±2 kV for Power Line		
LED Indicators						
Status	Run, Ethernet	Run, Ethernet, PoE	Run, Ethernet, I/O	Run, Ethernet, I/O, PoE		
Ethernet						
Ports	1 x RJ-45, 10/100 Base-TX			2 x RJ-45, 10/100 Base-TX, Switch Ports		
PoE	-	Yes	-	-	Yes	Yes
LAN bypass	-			Yes		
Security	ID, Password and IP Filter					
Protocol	Modbus TCP, Modbus UDP					
Power						
Reverse Polarity Protection	Yes					
Consumption	2.7 W (max.)	2.6 W (max.)	3.2 W (max.)	3.2 W (max.)	3.4 W (max.)	3.4 W (max.)
Powered from PoE	-	IEEE 802.3af, Class1	-	-	IEEE 802.3af, Class1	IEEE 802.3af, Class1
Powered from Terminal Block	+10 to +30 VDC			+12 to +48 VDC		
Mechanical						
Dimensions (mm)	72 x 123 x 35 (W x L x H)			76 x 120 x 38 (W x L x H)		
Installation	DIN-Rail mounting					
Environment						
Operating Temperature	-25 to +75°C					
Storage Temperature	-30 to +80°C					
Humidity	10 to 90% RH, Non-condensing					

I/O Specifications

Model	ET-7042	ET-7042-UT PET-7042	ET-7242, ET-7242-UT PET-7242
Digital Output			
Channels	16		
Type	Isolated Open Collector		
Sink/Source (NPN/PNP)	Sink		
Load Voltage	+5 to +30 VDC	+3.5 to +50 VDC	
Load Current	100 mA/channel at 25°C	650 mA/channel at 25°C	
	Direct Drive Power Relay Module		
Overvoltage Protection	-	+60 VDC	
Overload Protection	-	1.3 A	
Short-circuit Protection	-	Yes	
Power on Value	Programmable		
Safe Value	Programmable		

Wire Connections

Output Type	ON State Readback as 1
Drive Relay	
Resistance Load	

Output Type	OFF State Readback as 0
Drive Relay	
Resistance Load	

Ordering Information

ET-7042 CR	Ethernet I/O Module with 16-ch DO (RoHS)
ET-7042-UT CR	Ethernet I/O Module with 16-ch DO (RoHS) -40 to 75°C operating temperature
PET-7042 CR	PoE Ethernet I/O Module with 16-ch DO (RoHS)
ET-7242 CR	Ethernet I/O Module with 2-port Ethernet Switch, 16-ch DO (RoHS)
ET-7242-UT CR	Ethernet I/O Module with 2-port Ethernet Switch, 16-ch DO (RoHS) -40 to 75°C operating temperature
PET-7242 CR	PoE Ethernet I/O Module with 2-port Ethernet Switch, 16-ch DO (RoHS)

Pin Assignments

