



USB-2020
USB Audio Device

Features

- USB 1.1, 12MHz full speed, fully compliant with USB 2.0 specification
- 16-Bit Delta-Sigma ADC and DAC
- Driving Headphone and Passive Speaker Directly
- Built-in Condenser Microphone Bias
- Volume and Mute Control
- Auto switching USB/external power
- DIN-Rail Mounting



Introduction

The USB-2020 is a USB interface audio device, supports 32, 44.1 and 48 kHz, 8 or 16 bits stereo audio output, and 8, 10.025, 16, 22.05, 32, 44.1, and 48 kHz, 8 or 16 bits stereo microphone input. The USB -2020 supports Plug-and Play in Windows 2000/XP/Vista/7/8/10 and Linux OS. XPAC-8000 already built-in USB-2020 driver.

Applications

- Audio Speaker
- Audio Monitor
- Voice System
- External Sound Card

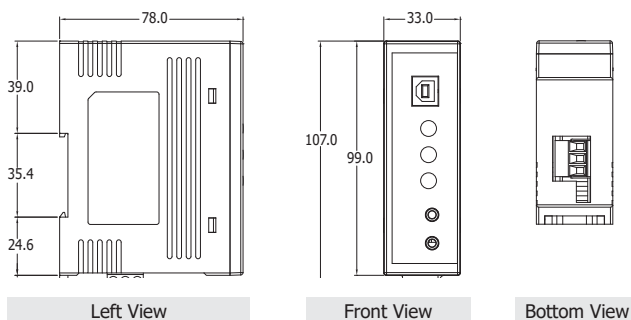
System Specifications

USB	
Ports	1
Specification	USB 1.1, 12MHz full-speed, fully compliant with USB 2.0 specification
Interface	
Human Interface Devices (HID)	Volume up, volume down and Mute buttons
LED Indicators	
Status	1 x Power and Communication
Power	
Input Range	+10 VDC ~ +30 VDC
Consumption	1 W (standby)/1.8 W (Max.)
Auto Switching USB/ External Power	Yes
Powered from Terminal Block	Yes
Mechanical	
Casing	Plastic
Dimensions (mm)	33 x 107 x 78 (W x L x H)
Installation	DIN-Rail
Environmental	
Operating Temperature	-25 ~ +75 °C
Storage Temperature	-40 ~ +85 °C
Humidity	10 ~ 95% RH, Non-condensing

Audio Specifications

Audio		
Channels	Input	Mono, Stereo (L + R)
	Output	Mono, Stereo (L + R)
Resolution		8 bits, 16 bits
Sampling Frequency	Input	8, 11.025, 16, 22.05, 32, 44.1, 48 kHz
	Output	32, 44.1, 48 kHz
THD+N	Input	<0.1% (0 dB)
	Output	< 0.02% (0 dB), < 3% (-60dB)
SNR	Input	80 dB
	Output	87 dB
Channel Separation	Input	78 dB
	Output	85 dB
Voltage	Input	1.4 Vrms
	Output	3 Vrms
Input Impedance	10 k Ohm	
Condenser Microphone Bias	Yes	
Output Current	30 mA Max.	
Stereo Jack	3.5 mm stereo jack line-out and 3.5 mm stereo jack mic-in	

Dimensions (Units: mm)



Ordering Information

USB-2020 CR	USB Audio Device (RoHS) Includes CA-USB18 Cable (USB 2.0 A-Male to B-Male Cable, 1.8 M)
--------------------	--------------------------------------------------------------------------------------------

Accessories

DIN-KA52F CR	24 VDC/1.04 A, 25 W Power Supply with DIN-Rail Mounting
MDR-20-24 CR	24 VDC/1 A, 24 W Power Supply with DIN-Rail Mounting
GPSU06U-6 CR	24 VDC/0.25 A, 6 W Power Supply