

# RPC-6190W

19" Fully Protected Panel PC, Intel Core I5-6200U Processor, All M12 Connectors



## Features

- Intel Core I5-6200U (2.3 GHz)
- 19" industrial LCD panel and touch
- M12 I/O Connectors
- Fanless and IP65 Protection
- Support -10~50°C Wide temperature operating
- Optional 9~36Vdc input
- Optional Expansion WiFi, Bluetooth, 4G, 5G



## Specifications

System	
CPU	Intel® Dual-Core I5-6200U (2.3GHz)
Memory	2 x SO-DIMM DDR3L-1600 (up to 32GB)
Storage	1 x Full-size Mini-PCle for mSATA SSD 1 x 2.5" driver bay for SATA3.0 HDD/SSD
Operating System	Windows 7/10, Linux
Display	
Size	19-inch
Resolution	1440 x 900
Brightness	250 cd/m <sup>2</sup>
Contrast Ratio	1000:1
LED Lifetime	30000 hrs
Touch Screen	
Type	P-CAP touch
Transparency	80%
Clicking Life	35 million times
Surface Hardness	≥3H
I/O Connectors	
Serial Port	1 x RS232, 1 x RS232/485
USB Port	2 x USB2.0
Ethernet	2 x GbE LAN
Others	1 x DC-in 1 x ATX Switch

Expansion	
Mini-PCle	1 x Full-size Mini-PCle for mSATA 1 x Full-size Mini-PCle

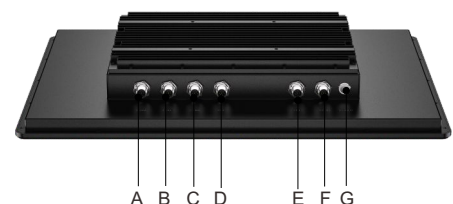
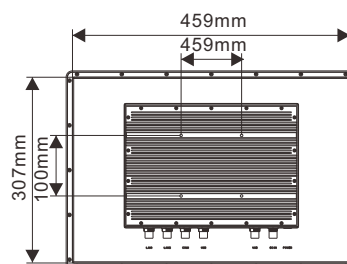
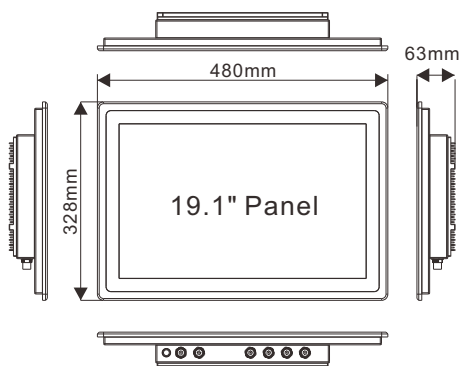
Power Management	
Power Input	DC 12V
Power Adapter	AC-DC, 12V@5A, 60W
Power Consumption	27W(Typ.)

Environmental	
Operating Temperature	-10~50°C
Storage Temperature	-20~60°C
Relative Humidity	10%-90%, @ 40°C (non-condensing)
Vibration	5~500Hz, 0.026 G <sup>2</sup> /Hz, 2.16 Grms, X, Y, Z, 1 hour per axis
Certifications	CE FCC

Mechanical	
Housing	Aluminum alloy panel, all-metal structure
Mounting Mode	VESA-mount
Dimension (W x L x H)	480 x 328 x 63 mm
Weight	7.2Kg

Packing List	
	1 x RPC-5190W
	Power Adapter and Cord
	Interface conversion cord
	1 x Certificate
	1 x Warranty Card

## Dimensions



- |         |                 |
|---------|-----------------|
| A: LAN1 | E: USB          |
| B: LAN2 | F: HDMI         |
| C: COM1 | G: Power Switch |
| D: USB  |                 |