

RPC-3190W

19" Fully Protected Panel PC , Intel Celeron J1900 Processor , ALL M12 Connectors



Features

- Intel® Celeron J1900 (2.0 GHz)
- 19" industrial LCD panel and touch
- M12 I/O Connectors
- Fanless and IP65 Protection
- Support -10~50°C Wide temperature operating
- Optional 9~36Vdc input
- Optional Expansion WiFi, Bluetooth, 4G, 5G



Specifications

System

CPU	Intel® Quad-Core Celeron J1900 (2.0GHz)
Memory	1 x SO-DIMM DDR3L-1333/1600 (up to 8GB)
Storage	1 x Full-size Mini-PCle for mSATA SSD 1 x 2.5" driver bay for SATA3.0 HDD/SSD
Operating System	Windows 7/10, Linux

Display

Size	19-inch
Resolution	1440 x 900
Brightness	250 cd/m ²
Contrast Ratio	1000:1
LED Lifetime	30000 hrs

Touch Screen

Type	Industrial five-wire resistive touch
Transparency	80%
Clicking Life	35 million times
Surface Hardness	≥3H

I/O Connectors

Serial Port	1 x RS232, 1 x RS232/485
USB Port	2 x USB2.0
Ethernet	2 x GbE LAN
Others	1 x DC-in 1 x ATX-Switch

Expansion

Mini-PCle	1 x Full-size Mini-PCle for mSATA 1 x Full-size Mini-PCle
-----------	--

Power Management

Power Input	DC 12V
Power Adapter	AC-DC, 12V@5A, 60W
Power Consumption	27W(Typ.)

Environmental

Operating Temperature	-10~50°C
Storage Temperature	-20~60°C
Relative Humidity	10%-90%, @ 40°C (non-condensing)
Vibration	5~500Hz, 0.026 G ² /Hz, 2.16 Grms, X, Y, Z, 1 hour per axis
Certifications	CE FCC

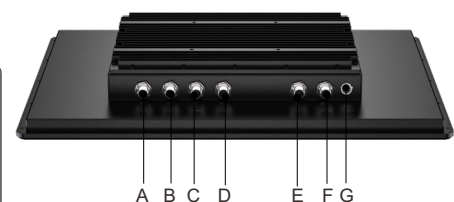
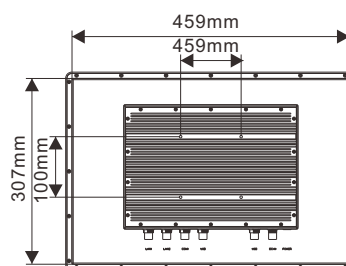
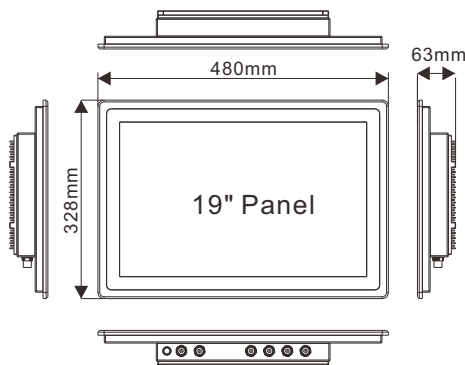
Mechanical

Housing	Aluminum alloy panel, all-metal structure
Mounting Mode	VESA-mount
Dimension (W x L x H)	480 x 328 x 63 mm
Weight	7.2Kg

Packing List

- 1 x RPC-3190W
- Power Adapter and Cord
- Interface conversion cord
- 1 x Certificate
- 1 x Warranty Card

Dimensions



- | | |
|---------|-----------------|
| A: LAN1 | E: USB |
| B: LAN2 | F: HDMI |
| C: COM1 | G: Power Switch |
| D: USB | |