

# DPM-1210

21.5", Capacitive / Resistive Touch Screen , Industrial Touch Display



## Features

- 21.5" LCD Capacitive / Resistive Touch
- Compact structure, IP65 front panel
- All metal structure design, durable
- Support panel and VESA installation

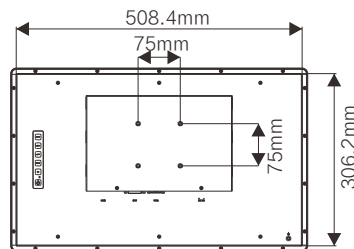
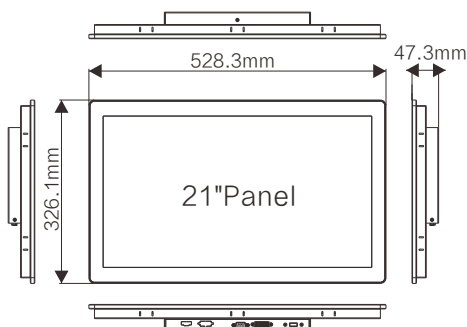


## Specifications

Display	
Size	21.5-inch
Resolution	1920 x 1080
Viewing Angle	89/89/89/89
Color Support	16.7M
Brightness	250 cd/m <sup>2</sup>
Contrast Ratio	3000:1
Response Time	20/5 (Typ.)(Tr/Td) ms
Backlight	LED
Backlight Life	40000h
Touch Screen	
Type	Projection Multi Touch Capacitive Touch Screen 5-wire resistive touch screen
Control Interface	USB
Surface Hardness	≥6H & 3H
Transmittance	85% & 78%
I/O Connectors	
USB	1 x USB2.0
Display	1 x VGA 1 x DVI
Others	1 x DC-IN (2-Pin Phoenix)

Power Specification	
Power Input	DC 12V (9~36V Optional)
Power Adapter	AC-DC, 12V@5A, 60W
Power Consumption	19W(Typ.)
Environmental	
Operating Temperature	-10~50°C
Storage Temperature	-20~60°C
Relative Humidity	10%-90%, @ 40°C (non-condensing)
Vibration	5~500Hz, 0.026 G <sup>2</sup> /Hz, 2.16 Grms, X, Y, Z, 1 hour per axis
Certifications	CE, FCC
Mechanical	
Housing	Aluminum alloy panel, all-metal structure
Mounting Method	Panel-mount, VESA-mount
Dimension (W x L x H)	528.3x 326.1 x 47.3 mm
Weight	6.1Kg
Packing List	
1 x DPM-1210	
1 x AC-DC power adapter	
1 x USB control cable	
1 x VGA data cable	
1 x DVI to VGA converter	
1 x Cable Buckle	
1 x Certificate	
1 x Warranty Card	
8 x Panel Mounting Buckles	

## Dimensions



- A: USB  
B: DVI  
C: VGA  
D: 12V DC-INPUT  
E: 9~36V DC-INPUT