

DPM-1170

17", Capacitive / Resistive Touch Screen , Industrial Touch Display



Features

- 17" LCD Capacitive / Resistive Touch
- Compact Structure, Front Panel IP65
- All Metal Structure Design, Durable
- Support Panel and VESA Installation



Specifications

| Display | |
|-------------------|---|
| Size | 17-inch |
| Resolution | 1280 x 1024 |
| Viewing Angle | 85/85/80/80 |
| Color Support | 16.7M |
| Brightness | 250 cd/m ² |
| Contrast Ratio | 1000:1 |
| Response Time | 3.8/1.2 (Typ.)(Tr/Td) ms |
| Backlight | LED |
| Backlight Life | 30000h |
| Touch Screen | |
| Type | Projection Multi Touch Capacitive Touch Screen 5-wire Resistive Touch Screen |
| Control Interface | USB |
| Surface Hardness | ≥6H & 3H |
| Transmittance | 85% & 78% |
| I/O Connectors | |
| USB | 1 x USB2.0 |
| Display | 1 x VGA 1 x DVI |
| Others | 1 x DC-IN (2-Pin Phoenix) |

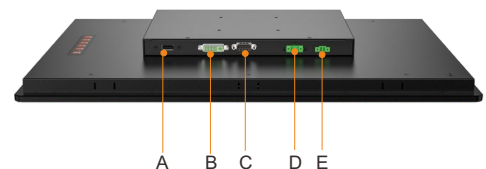
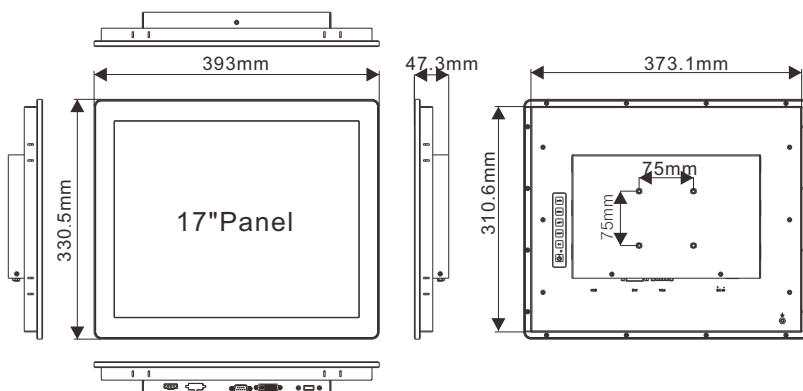
| Power Specification | |
|---------------------|-------------------------|
| Power Input | DC 12V (9~36V Optional) |
| Power Adapter | AC-DC, 12V@5A, 60W |
| Power Consumption | 17W(Typ.) |

| Environmental | |
|-----------------------|--|
| Operating Temperature | -10~50°C |
| Storage Temperature | -20~60°C |
| Relative Humidity | 10%-90%, @ 40°C (non-condensing) |
| Vibration | 5~500Hz, 0.026 G ² /Hz, 2.16 Grms, X, Y, Z, 1 hour per axis |
| Certifications | CE, FCC |

| Mechanical | |
|-----------------------|---|
| Housing | Aluminum alloy panel, all-metal structure |
| Mounting Method | Panel-mount, VESA-mount |
| Dimension (W x L x H) | 393x 330.5 x 47.3 mm |
| Weight | 4.2Kg |

| Packing List | |
|--------------|----------------------------|
| | 1 x DPM-1170 |
| | 1 x AC-DC Power Adapter |
| | 1 x USB Control Cable |
| | 1 x VGA Data Cable |
| | 1 x DVI to VGA Converter |
| | 1 x Cable Buckle |
| | 1 X Certificate |
| | 1 X Warranty Card |
| | 8 X Panel Mounting Buckles |

Dimensions



- A: USB
- B: DVI
- C: VGA
- D: 12V DC-INPUT
- E: 9~36V DC-INPUT