

DPM-1156

15.6", Capacitive / Resistive Touch Screen , Industrial Touch Display



Features

- 15.6" LCD Capacitive / Resistive Touch
- Compact Structure, Front Panel IP65
- All Metal Structure Design, Durable
- Support Panel and VESA Installation



-10~50°C



IP65



Touch



Specifications

Display

Size	15.6-inch
Resolution	1366 x 768 & 1920*1080
Viewing Angle	80/80/80/80 & 85/85/85/58
Color Support	16.7M & 16.2M
Brightness	300 cd/m ² & 450 cd/m ²
Contrast Ratio	500:1 & 800:1
Response Time	3/0 (Typ.)(Tr/Td) ms
Backlight	LED
Backlight Life	50000h

Touch Screen

Type	Projection Multi Touch Capacitive Touch Screen 5-wire Resistive Touch Screen
Control Interface	USB
Surface Hardness	≥6H & 3H
Transmittance	85% & 78%

I/O Connectors

USB	1 x USB2.0
Display	1 x VGA 1 x DVI
Others	1 x DC-IN (2-Pin Phoenix)

Power Specification

Power Input	DC 12V (9~36V Optional)
Power Adapter	AC-DC, 12V@5A, 60W
Power Consumption	16W(Typ.)

Environmental

Operating Temperature	-10~50°C
Storage Temperature	-20~60°C
Relative Humidity	10%-90%, @ 40°C (non-condensing)
Vibration	5~500Hz, 0.026 G ² /Hz, 2.16 Grms, X, Y, Z, 1 hour per axis
Certifications	CE, FCC

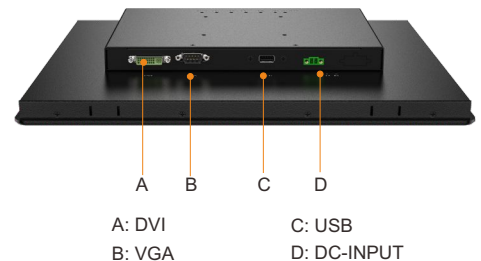
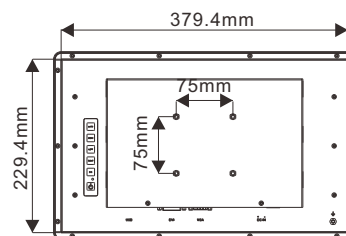
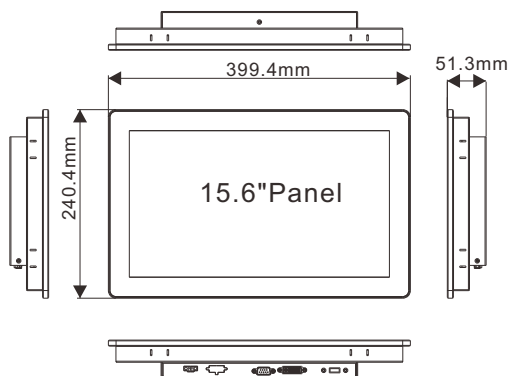
Mechanical

Housing	Aluminum alloy panel, all-metal structure
Mounting Method	Panel-mount, VESA-mount
Dimension (W x L x H)	399.4x 249.4 x 51.3 mm
Weight	3.45Kg

Packing List

- 1 x DPM-1156
- 1 x AC-DC Power Adapter
- 1 x USB Control Cable
- 1 x VGA Data Cable
- 1 x DVI to VGA Converter
- 1 x Cable Buckle
- 1 X Certificate
- 1 X Warranty Card
- 8 X Panel Mounting Buckles

Dimensions



A: DVI
B: VGA
C: USB
D: DC-INPUT