



ET-7028
PET-7028

ET-7228
PET-7228

(PoE) Ethernet I/O Module with 8-ch AO

Features

- Built-in Web Server
- Web HMI
- Support for both Modbus TCP and Modbus UDP Protocols
- Communication Security
- 2-port Ethernet Switch (LAN Bypass) for Daisy-Chain Wiring
- Dual Watchdog
- I/O Pair Connection
- Built-in I/O
- AO: 8 Channels



Introduction

The ET-7028/PET-7028/ET-7228/PET-7228 is an 8 channels analog output. It provides a variety of programmable analog output options ($\pm 5\text{ V}$, $\pm 10\text{ V}$, $0\text{ to }20\text{ mA}$, and $4\text{ to }20\text{ mA}$), and each analog output can be programmed to accept either current or voltage as output depending upon the position of the corresponding jumper. The ET-7028/PET-7028 is fully RoHS compliant and provides 4 kV ESD protection as well as 2500 VDC intra-module isolation.

System Specifications

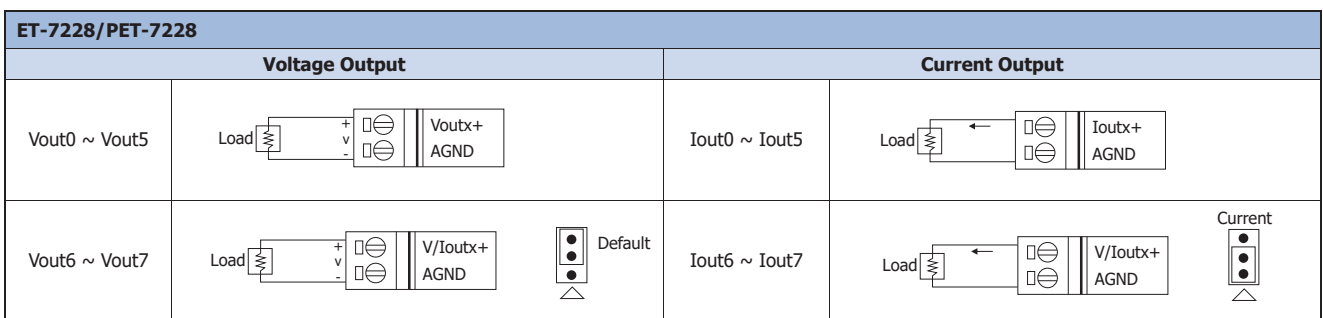
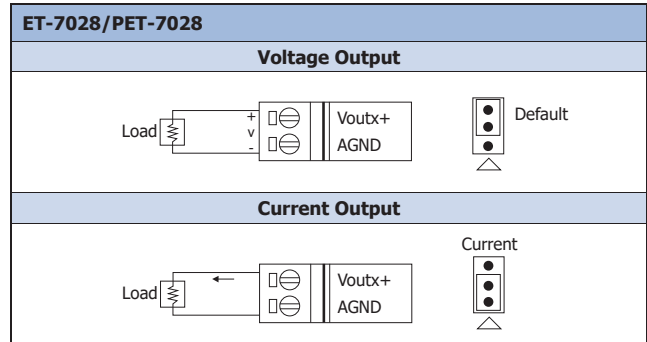
Model	ET-7028	PET-7028	ET-7228	PET-7228
Software				
Built-in Web Server	Yes			
CPU Module				
Watchdog Timer	Module, Communication (Programmable)			
2-Way Isolation				
Ethernet	1500 VDC	-	1500 VDC	-
I/O	2500 VDC		2500 VDC	
EMS Protection				
EFT (IEC 61000-4-4)	$\pm 4\text{ kV}$ for Power Line			
ESD (IEC 61000-4-2)	$\pm 4\text{ kV}$ Contact for Each Terminal $\pm 8\text{ kV}$ Air for Random Point			
LED Indicators				
Status	Run, Ethernet	Run, Ethernet, PoE	Run, Ethernet, I/O	Run, Ethernet, I/O, PoE
Ethernet				
Ports	1 x RJ-45, 10/100 Base-TX		2 x RJ-45, 10/100 Base-TX, Switch Ports	
PoE	-	Yes	-	Yes
LAN bypass	-		Yes	
Security	ID, Password and IP Filter			
Protocol	Modbus TCP, Modbus UDP			
Power				
Reverse Polarity Protection	Yes			
Consumption	6 W (max.)	6 W (max.)	6 W (max.)	6 W (max.)
Powered from PoE	-	IEEE 802.3af, Class1	-	IEEE 802.3af, Class1
Powered from Terminal Block	+10 to +30 VDC	+12 to +48 VDC		
Mechanical				
Dimensions (mm)	72 x 123 x 35 (W x L x H)		76 x 120 x 38 (W x L x H)	
Installation	DIN-Rail mounting			
Environment				
Operating Temperature	-25 to +75°C			
Storage Temperature	-30 to +80°C			
Humidity	10 to 90% RH, Non-condensing			

I/O Specifications

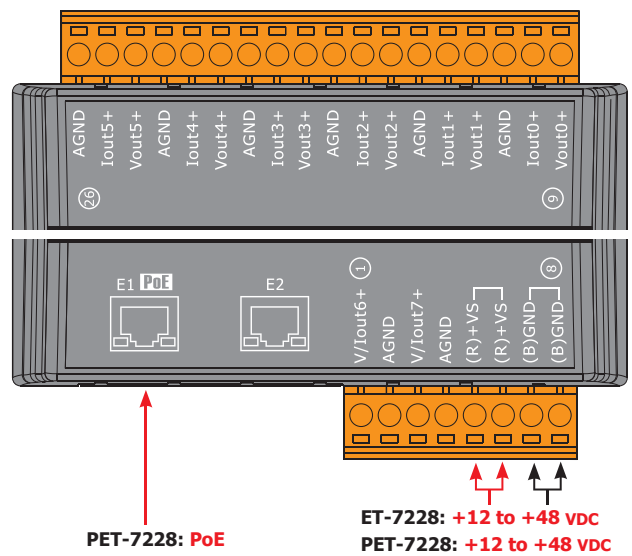
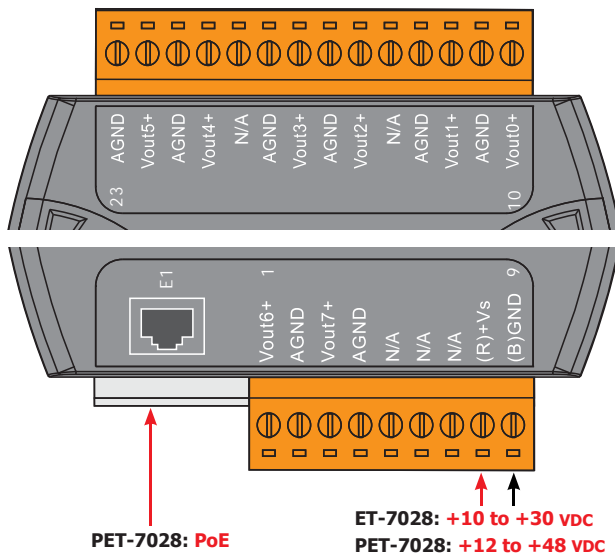
Analog Output	
Channels	8
Type	Voltage, Current
Range	+0 to +5 VDC, ± 5 VDC, +0 to +10 VDC, ± 10 VDC, 0 to 20 mA, 4 to 20 mA (Jumper Selectable, Note)
Resolution	12-bit
Accuracy	$\pm 0.1\%$ of FSR
Open Wire Detection	For 4 to 20 mA only
Voltage Output Capability	10 V @ 10 mA
Individual Channel Configuration	Yes
Current Load Resistance	500 Ω
Power on Value	Programmable
Safe Value	Programmable

Wire Connections

Note: Only (P)ET-7028 and (P)ET-7228's CH6 and CH7 support jumper.



Pin Assignments



Ordering Information

ET-7028 CR	PoE Ethernet I/O Module with 8-ch AO
PET-7028 CR	PoE Ethernet I/O Module with 8-ch AO (RoHS)
ET-7228 CR	Ethernet I/O Module with 2-port Ethernet Switch and 8-ch AO (RoHS)
PET-7228 CR	PoE Ethernet I/O Module with 2-port Ethernet Switch and 8-ch AO (RoHS)