



UTS1109B

1 port USB-to-RS-422/485 Adapter



Introduction

SUNIX UTS1109B transform your Universal Serial Bus (USB) port into RS-422/485 serial ports for communication with serial devices. The UTS1109B adapter is compatible with both USB 2.0 and 1.1 specifications and provides serial port with transfer speed up to 921.6 Kbps. It provides a quick, simple and cost-effective way to bring the advantages of data accessibility for various commercial and industrial automation applications.

Features

- Expands one independent RS-422/485 serial port through USB interface.
- Supports Universal Serial Bus Plug-n-Play and Hot-Swapping feature.
- No IRQ, DMA, I/O address resource required.
- Supports USB2.0 and USB1.1 compatible.
- Serial port provides transmission rate up to 921.6Kbps.
- Built-in ± 15 KV ESD protection for all signals.
- Compact Size and low power consumption.
- Supports USB bus power without additional external power.
- Certified by CE, FCC, RoHS, and Microsoft WHQL approval.
- Support Microsoft Windows and Linux.

Specifications

Serial Communication

Interface	RS-422/485
Controller	Prolific PL2303GC
BUS	Universal Serial Bus (USB)
No. of Port	1 port
IRQ & IO	Assigned by System
FIFO	Receive 768 byte Buffer Hardware Transmit 256 byte Buffer Hardware
Signal	RS-422: TxD+, TxD-, RxD+, RxD-, GND 4-wire RS-485: TxD+, TxD-, RxD+, RxD-, GND 2-wire RS-485: Data+, Data-, GND
Baud rate	50~921.6Kbps
Data bit	5, 6, 7, 8
Stop bit	1, 1.5, 2
Parity	even, odd, none, mark, space
Flow Control	XON/XOFF
Protection	±15KV ESD protection for each signal Human Body Model (HBM) ±15KV IEC61000-4-2 Air Gap Discharge ±8KV IEC61000-4-2 Contact Discharge
Connector	DB9 Male with Screw nut

Power

Power Source	USB Bus Power +5VDC (±5%)
Standby Power Consumption	<20mA / 5VDC
Working Power Consumption	<50mA / 5VDC

Driver Support

Microsoft Windows	7 / 8.x / 10 (X86/X64) /11(X64)
Microsoft Server	2008R2 / 2012/2016(X64)
Linux	Linux 2.6.x or later

Environment

Operation Temperature	0 to 60°C
Operation Humidity	10 to 80% RH
Storage Temperature	-30 to 85°C

Standards and Certifications

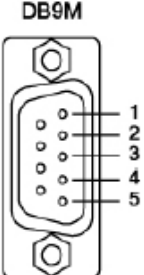
EMC	CE, FCC, VCCI, BSMI
Green	RoHS, WEEE, REACH

Physical Characteristics

Molding Dimension	15 x 45 x 33 mm
Cable Length	1200mm

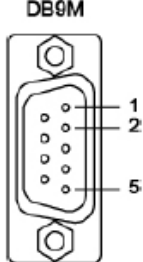
Pin Assignment

■ RS-422



PIN	DB9M
TxD-	1
TxD+	2
RxD+	3
RxD-	4
GND	5

■ RS-485



PIN	DB9M
Data-	1
Data+	2
GND	3

Package

- UTS1109B - 1 port USB-to-RS-422/485 Adapter, Cable 120 cm (4 ft)
- DB9 Female to 5-pin Terminal Block Adapter x1