

M-6026U-32

16-channel Universal Input and
16-channel Universal Output Module

Features

- Universal Inputs and Universal Outputs
- Status LED for Universal Inputs and Outputs
- Each Universal Input Channel Can be Used as an Analog Input or Digital Input
- Supports the Modbus RTU Protocol
- Easy Mounting and Connection
- Provides I/O Space-Saving Design



Introduction

The M-6026U-32 is a 16-channel Universal Input and 16-channel Universal Output distributed I/O module that provides a wide variety of input, output, and smart control solutions, all of which are based on a single universal hardware platform. The M-6026U-32 module combines both the input and the output on the same board, saving both time and space when both are at a premium, meaning the space requirements for I/O boards can be reduced by as much as 50%. Traditional I/O board schemes typically required separate input and output boards to be mounted within an enclosure, increasing the time to mount the boards and the cost of installation. The M-6000 I/O board series are communications devices that can be used to connect to facility management systems to enable control of refrigeration, HVAC, and lighting systems.

Applications

- Heating system in buildings
- Ventilation system
- Air-conditioning system
- HVAC control, lighting control, door monitoring

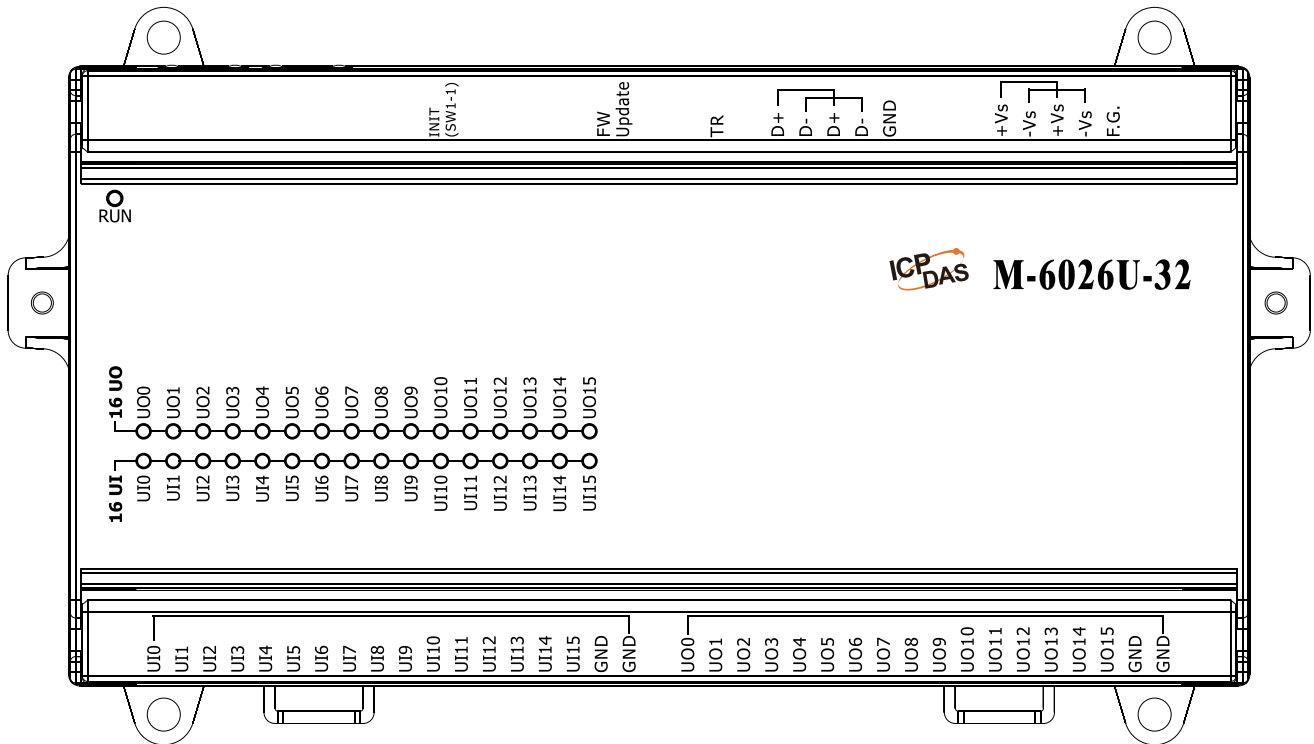
System Specifications

CPU Module	
Watchdog Timer	Module, Communication (Programmable)
Isolation	
Intra-module Isolation	3000 VDC
EMS Protection	
ESD (IEC 61000-4-2)	±4 kV Contact for each Terminal ±8 kV Air for Random Point
LED Indicators	
Status	1 x Power and Communication
COM Ports	
Ports	1 x RS-485
Baud Rate	1200 to 115200 bps
Data Format	(N, 8, 1)
Protocol	Modbus RTU
Power	
Consumption	14 W Max.
Powered from Terminal Block	24 VAC or 24 VDC
Mechanical	
Dimensions (mm)	237 x 134 x 59 (W x L x H)
Installation	DIN-Rail mounting
Environment	
Operating Temperature	-25 ~ +75 °C
Storage Temperature	-40 ~ +80 °C
Humidity	10 ~ 95% RH, Non-condensing

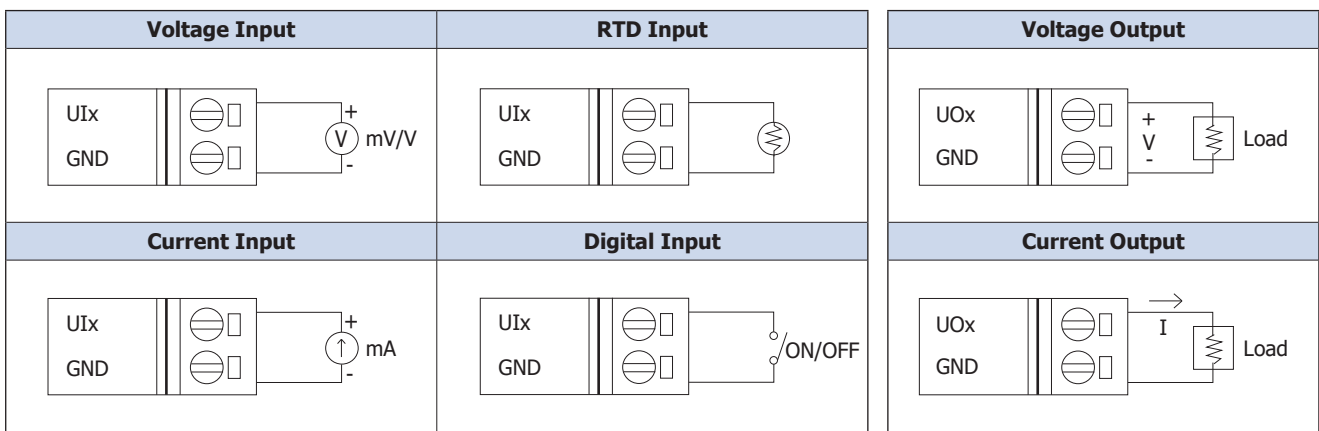
I/O Specifications

Analog Input		
Channels	16, universal for AI and DI	
Type	Voltage	0 to +2.5 V, 0 to +5 V, 0 to +10 V
	Current	0 to 20 mA, 4 to 20 mA
	RTD	Pt1000
Resolution	16-bit	
Accuracy	±0.1% of FSR	
Overvoltage Protection	100 VDC	
Analog Output		
Channels	16	
Type	Voltage	0 to +10 V
	Current	0 to 20 mA, 4 to 20 mA
Resolution	12-bit	
Accuracy	±0.2% of FSR	
Open Wire Detection	For 4 to 20 mA only	
Voltage Output Capability	10 V @ 20 mA	
Digital Input		
Channels	16, universal for AI and DI	
Type	Dry Contact	
ON Voltage Level	Close to GND	
OFF Voltage Level	Open	
Fuse Protection	1 A	

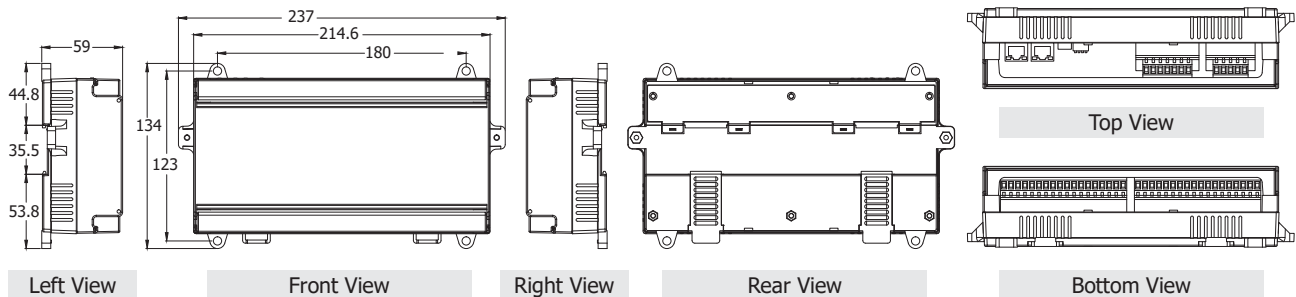
Pin Assignments



Wire Connections



Dimensions (Units: mm)



Ordering Information

M-6026U-32 CR	16-channel Universal Input and 16-channel Universal Output Module using the Modbus Protocol (RoHS)
----------------------	--