

EZIDCNN80

8-ch Digital Input

8-ch Digital Output

Industrial DevicePort I/O



Introduction

SUNIX EZIDCNN80 utilizes SUNIX EAZInet networking technology to quickly expand 8 digital input and 8 digital output signals via Ethernet, allowing users to conveniently implement automation, swiftly incorporate the Internet of Things into their businesses, and raise their competitiveness.

SUNIX EZIDCNN80 does not require IP setting and supports full network topology, which substantially lightens the burden of network planning and management, shortens the hardware deployment process, and enables subsequent expansions to be executed more flexibly.

SUNIX EZIDCNN80 is capable of automatic device enumeration, which allows the console terminal to quickly search for terminal devices, thus enabling plug-and-play functionality. This greatly improves the convenience of system development for users.

Features

- 8-ch digital-in and 8-ch digital-out
- Built-in with SUNIX High-Performance Ethernet-IO controller
- Built-in dual 10/100 Ethernet ports for Ethernet cascading capability
- IP setting not required, enabling convenient and quick deployment configuration
- Supports daisy chain network topology for flexible and quick I/O expansion
- Automatic device enumeration mechanism facilitates terminal device networking
- Supports wall or rail (DIN) mounted

Common Specifications

LAN

Ethernet: 2-port 10/100 Mbps RJ45 ports

Protection: 1.5 KV magnetic isolation

Protocols: SUNIX EAZInet

Power Requirements

Input Voltage: 5 to 48 VDC

Connector: 6 PIN Terminal Block

*Support 2 ports input power & relay output

*Support OVP

Note: the high-voltage power input priority first ,when multiple power inputs

Environmental Limits

Operating Temperature:

-40 to 75°C (-40 to 167°F)

Storage Temperature:

-40 to 85°C (-40 to 185°F)

Operation Humidity:

10 to 95% (non-condensing)

Certifications

- CE
- FCC
- VCCI
- BSMI

DI/O specifications

Digital Input

Channels: 8

Dry Contact:

- Logic Level 0: Open
- Logic Level 1: Close to GND

Wet Contact:

- Logic Level 0: 0 ~ 3V
- Logic Level 1: 10 ~ 50V

Input Resistance: 10 k Ω

Isolation: 1k VDC

Over-Voltage Protection: 70VDC

Digital Output

Channels: 8

Output Type: NPN

Output Voltage Range: 3.5-30V

Normal Output Current: 500mA per Channel

Isolation: 1k VDC

Startup Value Setting: Yes

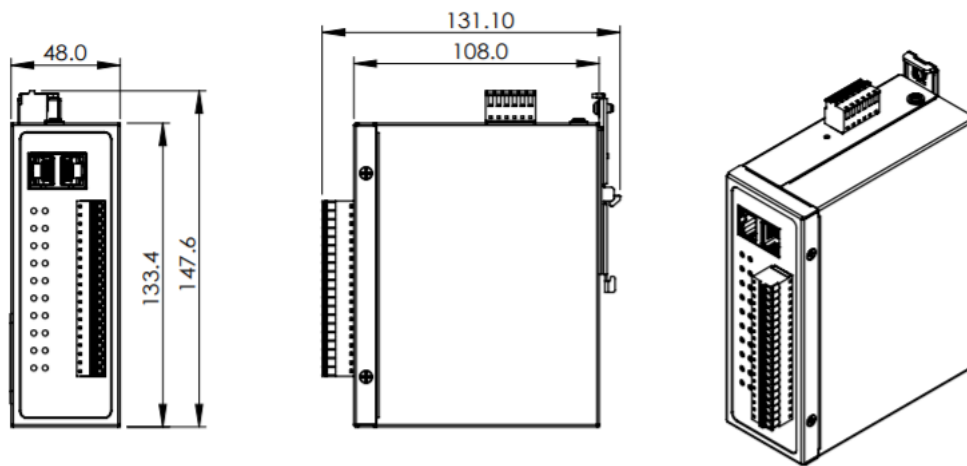
Communication Safety Value Setting: Yes

Connector Pin Assignment: refer to Quick Installation Guide

Dimensions

Dimension: 48.0 x 147.6 x 131.1 mm (1.89 x 5.81 x 5.16 in)

Weight: 615g +5%



Package contents

- SUNIX Industrial DevicePort I/O product x1
- Quick Installation Guide x1

Headquarters

Taiwan

Sunix Co., Ltd.

Tel : +886-2-8913-1987

Fax : +886-2-8913-1986

Website : www.sunix.com

E-mail : info@sunix.com

America

SUNIX USA, INC.

Tel : +1 (626) 765-4031

Fax : +1 (909) 594-8906

Website : www.sunix.com

E-mail : sales.sunixusa@sunix.com

Germany

Sunix Vertriebs GmbH

Tel : +49(0)6995-20 9506

Fax : +49(0)6995-20 8267

Website : www.sunix.com

E-mail : info@sunix-euro.de

China

Shanghai Office

Tel : +86-21-6469-1670

Fax : +86-21-6468-8346

Website : www.sunix.com.cn

E-mail : info@sunix.com.cn

Beijing Office

Tel : +86-10-65308429

Fax : +86-10-65308421

Shenzhen Office

Tel : +86-07-5533500418