



## I-8068W

4-Channel Form-A Relay Output and  
4-Channel Form-C Relay Output Module

### Features

- 8-Channel Power Relay Output
- 4-Channel Form A and 4-Channel Form C Relay Contact
- Each digital channel has its own status LED
- 4 kV ESD Protection
- Wide Operating Temperature Range: -25 ~ +75 °C



### Introduction

The I-8068W provides 4 Form A power relay output channels and 4 Form C power relay output channels. The I-8068W include 8 LED indicators for monitoring the relay output status. 4 kV ESD protection are also provided to enhance the noise protection capabilities of the module in harsh industrial environments.

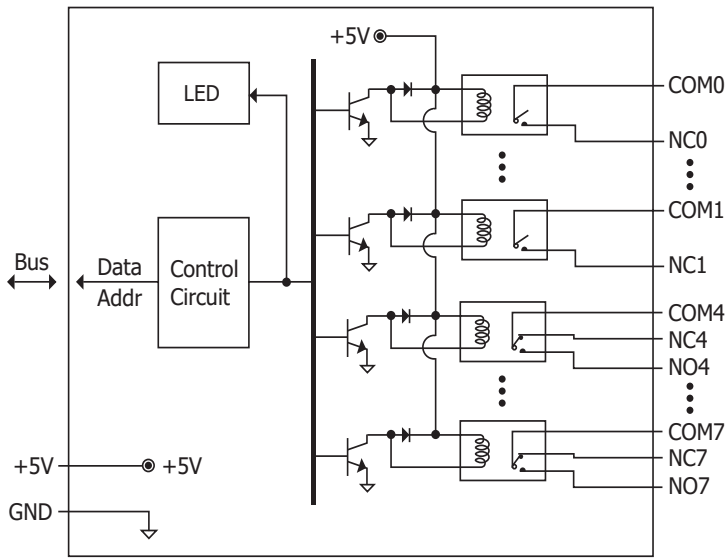
### System Specifications

LED Indicators	
System LED Indicator	1 LED as Power Indicator
I/O LED Indicator	8 LEDs as Power Relay Output Indicators
EMS Protection	
ESD (IEC 61000-4-2)	±4 kV Contact for each Terminal
Power	
Consumption	2.5 W Max.
Mechanical	
Dimensions (W x L x H)	30 mm x 102 mm x 115 mm
Environment	
Operating Temperature	-25 ~ +75 °C
Storage Temperature	-30 ~ +75 °C
Humidity	5 ~ 95 % RH, Non-condensing

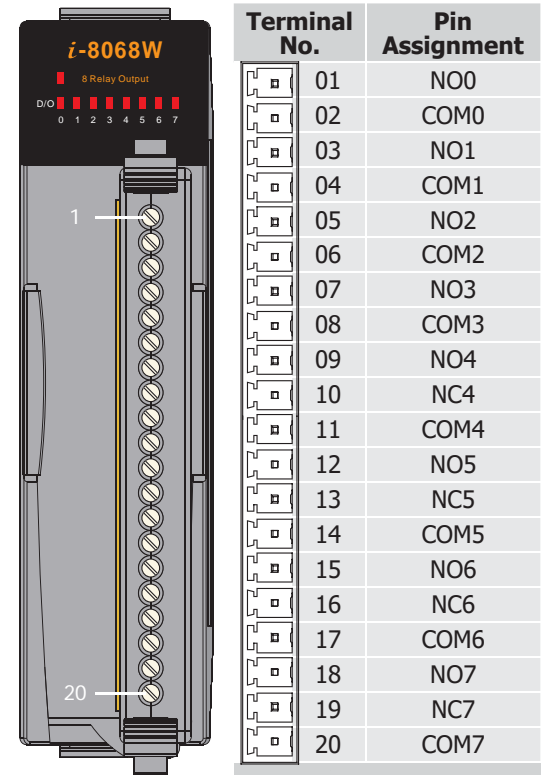
### I/O Specifications

Relay Output		
Channels		8 (4 x Form A, 4 x Form C)
Type		Power Relay
Form A	Contact Rating	5 A @ 250 VAC; 5 A @ 28 VDC
	Operate Time	15 ms Max.
	Release Time	4 ms Max.
	Electrical Endurance	100,000 ops. (rated load)
	Mechanical Endurance	100,000,000 ops. (no load)
Form C	Contact Rating	5 A (NO)/3 A (NC) @ 30 VDC, 5 A (NO)/3 A (NC) @ 277 VAC
	Operate Time	10 ms Max.
	Release Time	5 ms Max.
	Electrical Endurance	100,000 ops. (rated load)
	Mechanical Endurance	50,000,000 ops. (no load)

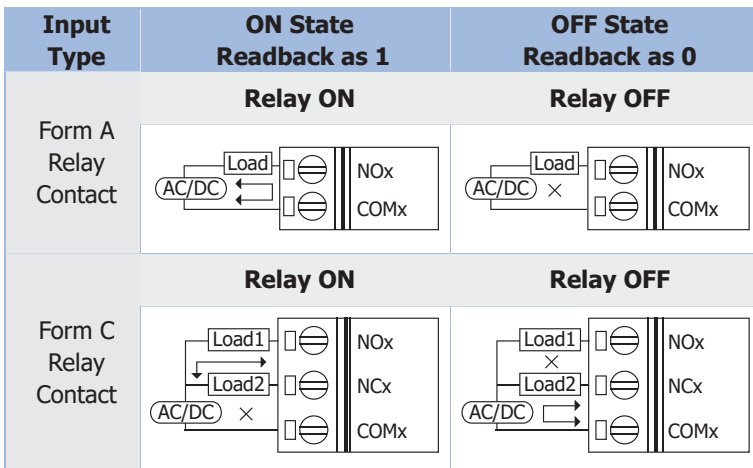
## Internal I/O Structure



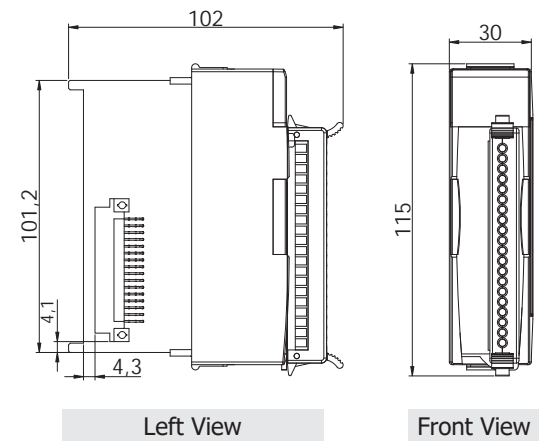
## Pin Assignments



## Wire Connections



## Dimensions (Units: mm)



## Ordering Information

<b>I-8068W-G CR</b>	4-Channel Form-A Relay Output and 4-Channel Form-C Relay Output Module (RoHS)
---------------------	---