



Shenzhen Jawest Electronic Technology Co., Ltd

Size	19 inch JWS190-W210	19.1 inch JWS191-W210
Display		
Panel Type	Industrial A grade LCD with LED backlight	
Aspect Ratio	4:3	16:9
Resolution	1280*1024	1440*900
Contrast	1000:1	1000:1
Luminance	300nit, up to 1200 nits	300nit, up to 1000 nits
Response time	5ms	5ms
Active Area (mm)	337.9*270.3	381.9*241.8
Display colors	16.7M(8-bit)	16.7M(8-bit)
PC Configuration		
CPU	Intel® Celeron® Processor J1900, Quad-Core up to 2.0 GHz, Intel® Smart Cache 2 MB; Intel Celeron J4125, Intel Core i3/i5/i7 can be customized	
Graphic Card	Integrated Intel HD Graphics	
Inner memory	2GB DDR3L 1333 MHz RAM (4GB/8GB/16GB RAM can be customized)	
Storage	32GB SSD (64GB/128GB/256GB/512GB SSD, 500GG/1TB HDD can be customized)	
Expansion Card Slot	2xMini-PCIE slot, support SSD, WIFI, 3G module	
Audio	Realtek ALG662 6 sound track audio frequency	
Internet	1xRTL811E gigabit network card	
Operating System	Windows 7/8.1/10, WES7-E/P, WE8S, Ubuntu 14.04	
Support multi-language	English/Portuguese/French...etc	

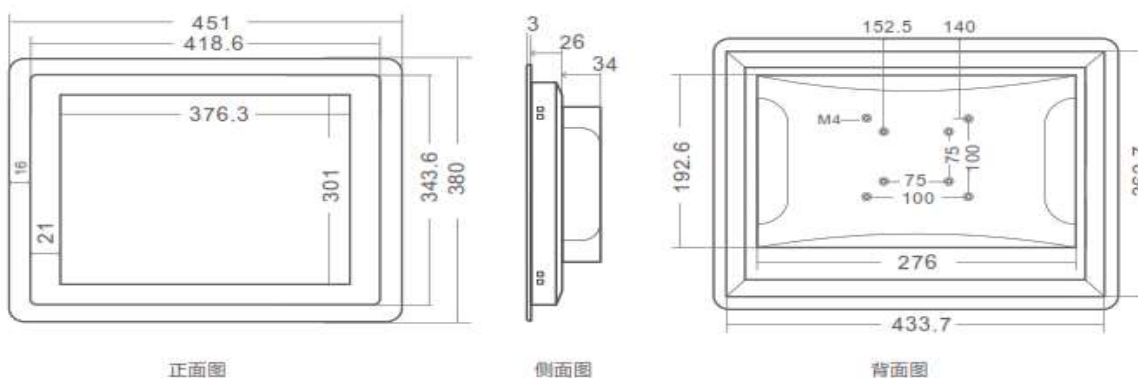
Touch Screen	Default with 10-point capacitive touch, support Two-finger Touch Control while Wearing Gloves; Optional Resistive touch / Non-touch
Touch Screen Surface Hardness	7 Mohs
Touch Screen Transparency	90% ($\pm 3\%$)
I/O Ports	1*12V DC_JACK input (ATX is optional) , 1*VGA, 1*HDMI, 4*USB port
	1*RJ-45 network interface, 1*Audio I/O interface, 2*COM (can be customized, up to 6*COM)
Power Input	AC 110-240V, 50/60Hz
Power Connector Type	2-Pin Terminal Block, Phoenix Connector
Power Consumption (Typical)	1.53A @ 12V (18.4W)
Power Consumption (Max)	1.8A @ 12V (21.6W)
Operation Temperature	-10°C~60°C
Storage Temperature	-40°C~85°C
Operation Humidity	5%~80%
Storage Humidity	5%~90%
Material	Aluminum alloy enclosure+ High Strength Cold Rolled Steel
Bezel Thickness	3mm bezel, 10mm bezel (optional)
IP Rating	IP65 True Flat Front Panel
Color	Default with Black Color; Optional Silver Color;
Installation Way	Default with Embedded(Wall Mount bracket; VESA / Desktop optional)
Certification	CE,FCC,ROHS,ISO9001
Warranty	3 years warranty (with the exception of man-made damage)
Packaging	EPE+Carton (wooden crate for mass order)

Dimensions (L x W x H)	19inch with 451 x 380 x 63 mm (17.76" x 14.96" x 2.48"); Carton Size: 525x465x180mm; 19.1inch with 486 x 332 x 63 mm (19.14" x 13.07" x 2.48");Carton Size: 637x445x180mm;
Packing List	1 x JWS190-W210(JWS191-W210); 1 x Power Adapter; 1 x power cable; 4 x Embedded Bracket;
Applications	Human Machine Interface (HMI); Factory / Manufacturing Automation; ATM / Self-service / Kiosk Applications; Vending Machine / Ticketing Machine

Product Size

19"

尺寸单位：
毫米mm
尺寸误差：
±0.5mm



Product Size

19宽"

尺寸单位：
毫米mm
尺寸误差：
±0.5mm

